

Reference Guide



Optional Units

Revoria Press SC180

Revoria Press SC170

Revoria Press EC1100

Contents

1	High Capacity Feeder B1	4
2	High Capacity Feeder B1-S/C3-DS/C1-DS	9
3	Air Suction Feeder C1-DS/C1-DSXL	28
4	Interface Decurler Module D1	42
5	Insertter D1	46
6	High Capacity Stacker A1	51
7	Crease / Two-Sided Trimmer D2	59
8	Folder Unit CD2	69
9	Finisher D	72
10	Square Back Fold Trimmer D1	90


Preface

A guide describing the operations for optional units, such as the Finisher.

Refer

- Descriptions for the following optional products are provided in different guides.
 - Offset catch tray, Long catch tray: "Reference Guide- Main Unit"
 - Print / scan function-related products (Revoria Press SC180/SC170) : "Reference Guide - Operations"
 - Print function-related products (Revoria Press EC1100) : "Reference Guide - Operations"
 - Print server and related products: Manual included in the product
 - IC card reader (Revoria Press SC180/SC170 only) : Official site of our company

- This manual may not be edited, modified or copied in whole or part without the written consent of the publisher.
- Some parts of this manual are subject to change without prior notice.
- The screen shots and the illustrations in this manual are used as examples. They may differ from yours depending on the model, the software, or the OS.

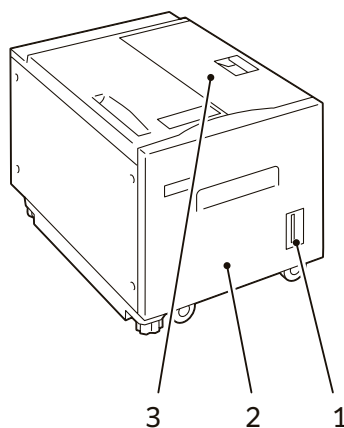
In this manual, safety instructions are preceded by the symbol  . Always read and follow the instructions before performing the required procedures.

Regarding the notations and trademarks in this document, see the "Reference Guide- Main Unit". Description in this manual such as feed capacity assumes 80 g/m² paper.

1 High Capacity Feeder B1





High Capacity Feeder Tray B1 can be used with Revoria Press SC180/SC170.

Device Components



No.	Component	Function
1	Remaining Volume Display	You can check the remaining paper volume.
2	High Capacity Tray (Paper Tray 6)	Load paper here.
3	Top Cover	Open this cover to clear paper jams.

Main Specifications

Item	Specification
Paper size	A4  , Letter (8.5 x 11")  , JIS B5  , 7.25 x 10.5" (184 x 267 mm) 
Paper weight (g/m ²)	64 to 220
Tray capacity (sheets)	2,000 (90g/m ²)
Dimensions (mm)	Width 389 x Depth 610 x Height 377
Weight (kg)	29

Loading Paper

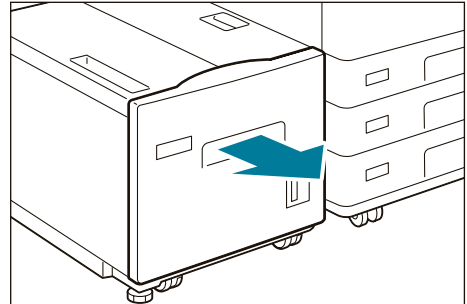
After loading paper, configure the Paper Tray settings on the Home screen.

Refer

For details, refer to "Setup" in "Reference Guide - Operations".

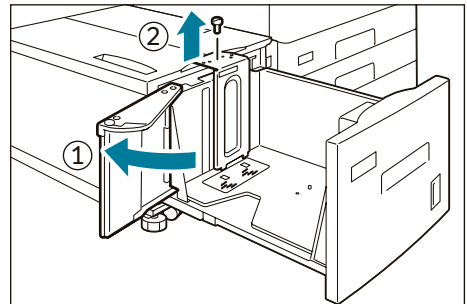
Images are printed on the face side of the loaded paper.

1. Pull out the Paper Tray toward you until it stops.
2. Remove any paper remaining in the Paper Tray.

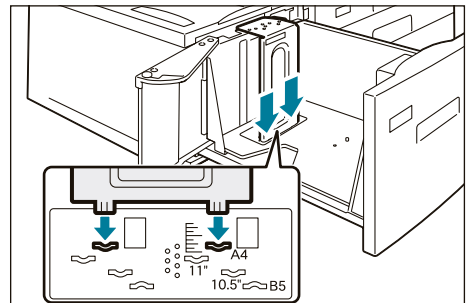


3. If changing the Paper Size, adjust the guide position.

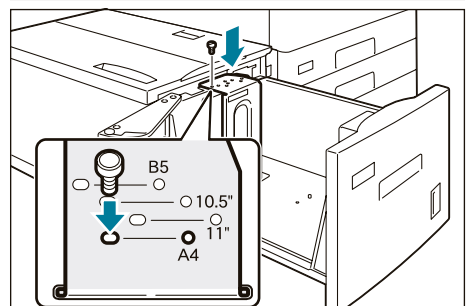
- (1) Open the end guide (①), remove the screw for the guide in the back (②), and remove the guide from the Paper Tray.



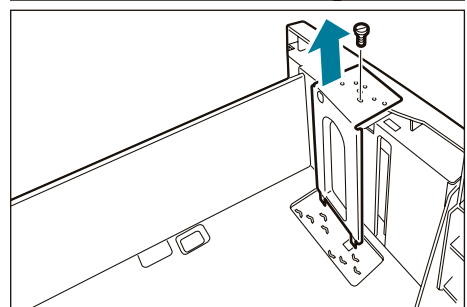
- (2) Insert the protrusions under the guide into the Paper Size holes.



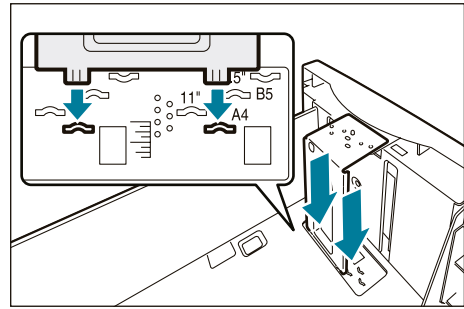
- (3) Insert the Paper Tray protrusions into the Paper Size holes on top of the guide and tighten the screw.



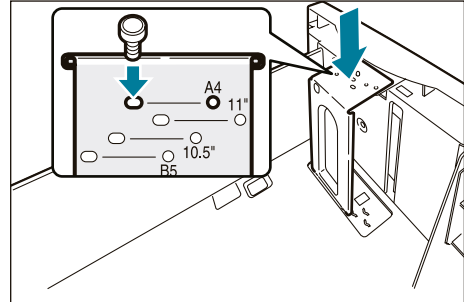
- (4) Remove the screw for the guide in front and remove the guide from the Paper Tray.



(5) Insert the protrusions under the guide into the Paper Size holes.



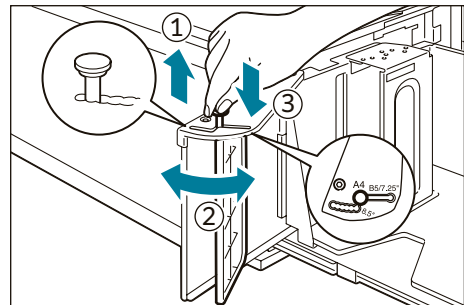
(6) Insert the Paper Tray protrusions into the Paper Size holes on top of the guide and tighten the screw.



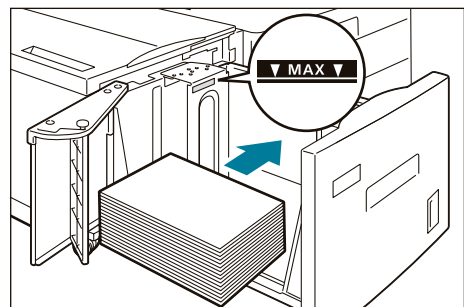
(7) Pull the handle for the end guide up (1), align with the Paper Size while moving the handle along the groove (2), and lower the handle (3).

Note

The groove on the left side of the end guide 8.5" is not used.

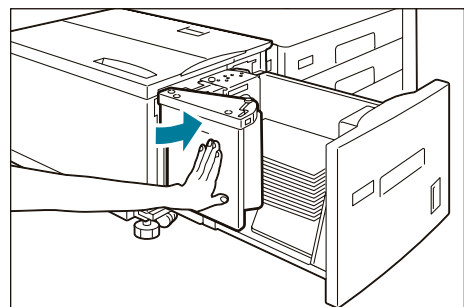


4. Fan the paper well and load sheets with the printed side facing up, and the paper edges aligned in the direction of the arrow.



5. Close the end guide completely.

6. Push in the Paper Tray.



Special Media Setting

■ Hole Punched Paper

Orientation: Place the holes of paper on the right side when you face the front side of machine.

Paper Jams

If paper is jammed, the machine stops and an alarm sounds. Follow the instructions displayed on the screen to remove the jammed paper.

Gently remove the paper being careful not to tear it. If paper is torn while it is being removed from the machine, remove all the torn pieces making sure that none remain inside the machine.

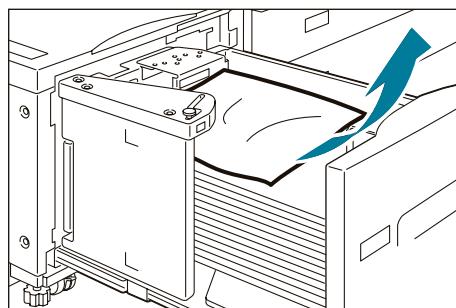
When you have finished clearing the paper jam, printing is resumed from the state before the paper jam occurred. If a paper jam occurred during copying, tap on [Start]. Copying is resumed from the state before the paper jam occurred.

Note

Clear the paper jams while the machine is on.

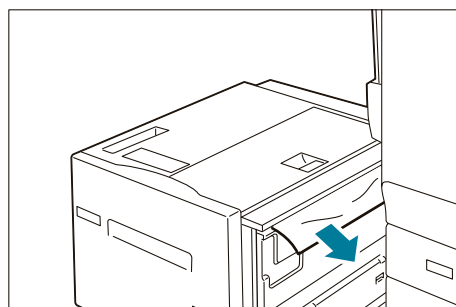
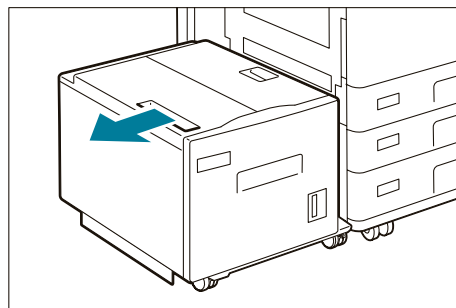
Paper Tray

1. Pull out the Paper Tray toward you until it stops.
2. Remove the jammed paper.
3. Push in the Paper Tray.



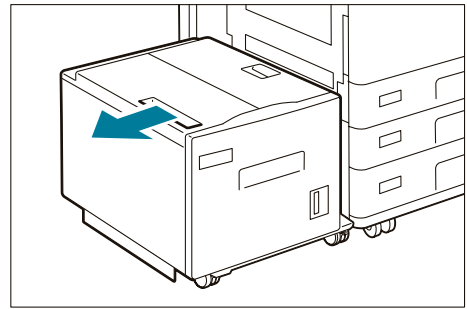
Exit

1. Hold the handle and move the unit all the way to the left.
2. Remove the jammed paper.
3. Move the unit to the right and connect it with the main unit.

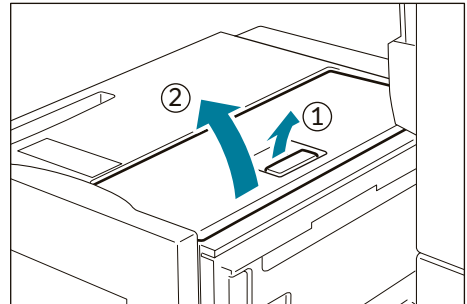


Inside of the Upper Cover

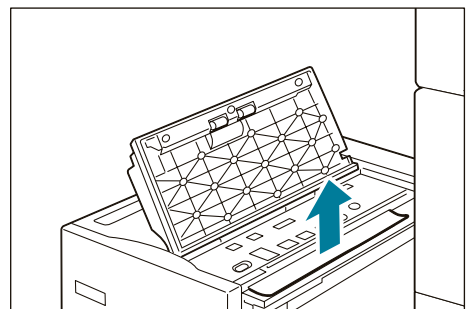
1. Hold the handle and move the unit all the way to the left.



2. Pull the handle (①) and open the cover (②).



3. Remove the jammed paper.
4. Close the cover.
5. Move the unit to the right and connect it with the main unit.

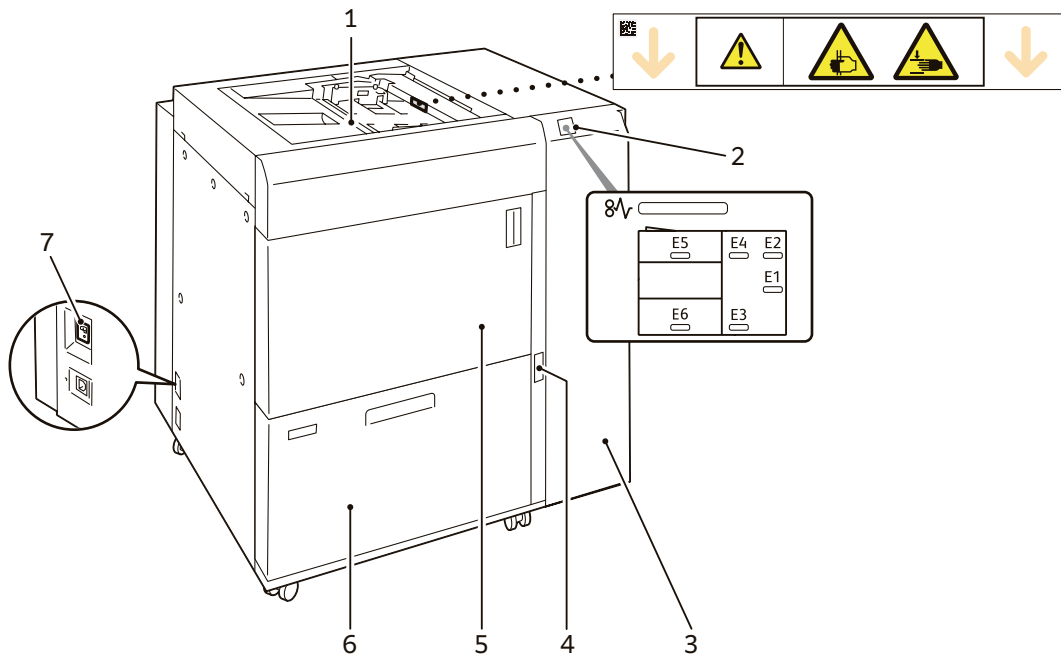


2 High Capacity Feeder B1-S/C3-DS/C1-DS

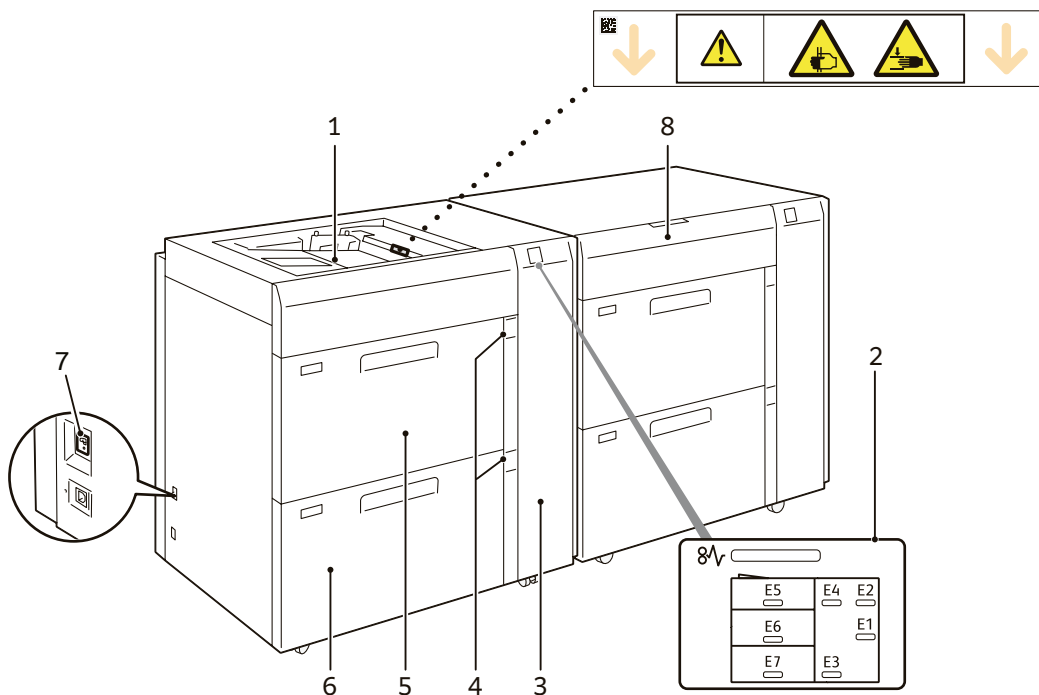
High Capacity Feeder Tray B1-S can be used with Revoria Press SC180/SC170.

Device Components / Caution Labels

B1-S (Revoria Press SC180/SC170 only)



C3-DS/C1-DS



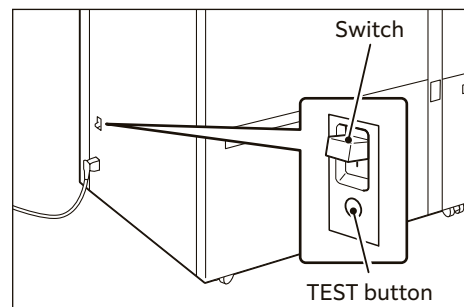
No.	Component		Function
1	Bypass Tray (Paper Tray 5)		Load paper here.
2	Error Indicator		When paper jam occurs, the indicator is turned on. When the priority device indicator (top lamp) blinks, first of all perform the paper jam operation.
3	Right Cover		Open this cover to clear paper jams.
4	Remaining Volume Indicator		When the Paper Tray is in operation, the top lamp is turned on. You can check the remaining volume of paper with the 4 lamps (each lamp indicates 25%) at the center. When Paper Replenish Indicator is turned on, paper is empty.
5	B1-S	Consumables Storage Unit	Stores papers and consumables.
	C3-DS/C1-DS	High Capacity Tray (Paper Tray 6 or 8)	Load paper here.
6	B1-S	High Capacity Tray (Paper Tray 6)	Load paper here.
	C3-DS/C1-DS	High Capacity Tray (Paper Tray 7 or 9)	
7	Ground Fault Interrupter		A switch to automatically switch the machine off when a current leakage is detected.
8	Upper Cover		Pull this cover to clear paper jams.

Ground Fault Interrupter



When not using for an extended period or when moving the unit, set the switch to the lower position to turn the machine power off.

Note

Do not operate the switch under normal circumstances because it is turned off when a current leakage is detected.
For the current leakage, refer to "User's Manual".



Main Specifications

Item	Specification				
Paper size	Standard size	Max	A3, 11 x 17"		
		Min	A6		
	Custom size (mm)	Width	B1-S	100 to 330	
			C3-DS/C1-DS	Revoria Press SC180/SC170: 98 to 330 Revoria Press EC1100: 98 to 330.2	
	Length	148 to 488 (when Bypass Tray for Long Paper is installed: 660)			
<div style="border: 1px solid orange; border-radius: 10px; padding: 2px; display: inline-block;"> Note</div> <p>The Postcard inserter is needed for Postcard (100 x 148 mm) and paper its length is shorter than 182 mm.</p>					
Paper weight (g/m ²)	B1-S	Bypass Tray	Uncoated	52 to 350	
			Coated	64 to 350	
		High Capacity Tray	Uncoated	52 to 300	
			Coated	64 to 300	
	C3-DS/C1-DS	Bypass Tray	Uncoated	52 to 350	
			Coated	64 to 350	
		High Capacity Tray	Uncoated	52 to 350	
			Coated	64 to 350	
<div style="border: 1px solid orange; border-radius: 10px; padding: 2px; display: inline-block;"> Note</div> <ul style="list-style-type: none"> • When the High Capacity Feeder is installed, install the Bypass Tray to the High Capacity Feeder. • If the machine is equipped with 2nd Feeder, Bypass Tray is installed on the left of Feeder. 					
Tray capacity (sheets)	B1-S	2,000 (90g/m ²), Bypass Tray: 250			
	C3-DS/C1-DS	2,000 (90g/m ²) x 2 trays (Max 4,000 (90g/m ²)), Bypass Tray: 250			
Power supply	B1-S	AC 100 to 120 V ± 10%, 2.5 A, 50/60 Hz common AC 220 to 240 V ± 10%, 1.5 A, 50/60 Hz common			
	C3-DS/C1-DS	AC 100 to 120 V ± 10%, 6 A, 50/60 Hz common AC 220 to 240 V ± 10%, 4 A, 50/60 Hz common			
Maximum power consumption	B1-S	AC 100 V: 250 W / AC 240 V: 360 W			
	C3-DS/C1-DS	AC 100 V: 600 W / AC 220 V: 880 W			
Dimensions (mm)	Width 988 x Depth 762 x Height 992				
Weight (kg)	B1-S	190 (Including a bypass tray for long paper and a large operation panel)			
	C3-DS	Revoria Press SC180/SC170: 236 (Including a bypass tray for long paper and a large operation panel) Revoria Press EC1100: 232 (Including a bypass tray for long paper)			
	C1-DS	235			

Loading Paper

After loading paper, configure the Paper Tray settings on the Home screen.

Refer

For details, refer to "Setup" in "Reference Guide - Operations".

Loading to High Capacity Tray

Images are printed on the face side of the loaded paper.

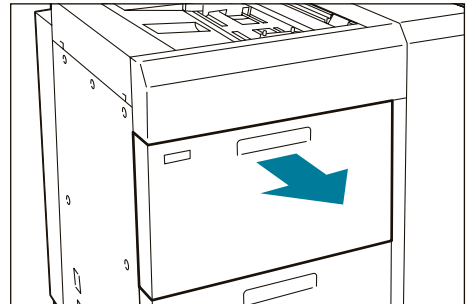
Important

Do not load paper above the maximum fill line. It may cause paper jams or machine malfunction.

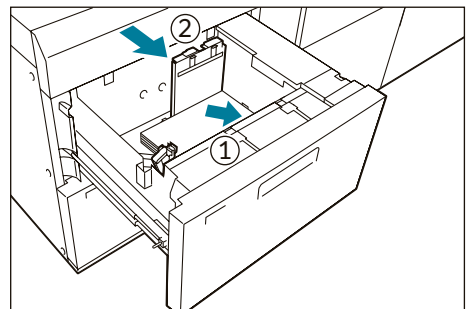
Note

- If the amount of the loaded paper is 100 sheets or less, the guides apply more pressure to the paper. It may cause the paper to be distorted, leading to paper jams.
- Position the guides correctly to match the paper size. Incorrectly positioned guides may cause misfeeding and paper jams.
- In the event power is disconnected while the Paper Tray's bottom plate is rising, the plate may not move up when the power is recovered. In this case, pull out the Paper Tray, make sure the plate is lowered, and then push the Paper Tray into the machine slowly and firmly.
- When paper sheets are loaded or fed, the Paper Tray makes a sound of supplying air. This is caused by the Air Assist function, and not an abnormal noise.

- 1. Pull out the Paper Tray toward you until it stops.**
- 2. Remove any paper remaining in the Paper Tray.**

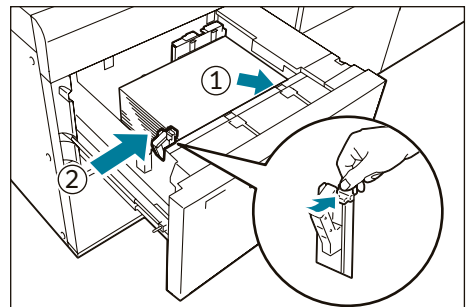


- 3. Fan the paper well and load about 100 to 500 sheets with the printed side facing up, and the paper edges aligned in the direction of the arrow (①).**
- 4. Pinch the long-side paper guide grip and adjust to the correct paper size (②).**



- 5. Load remaining sheets with the printed side facing up, and align the paper edges in the direction of the arrow (①).**
- 6. Adjust the short-side paper guide to the correct paper size (②).**

To leave a space, pinch the paper guide grip to move.
To narrow, push the paper guide to move.



Note

Make sure that Paper Feed Precision Lever is set to the Normal position. If printed image is still skewed (misalignment of image on prints) after you load paper in Paper Tray correctly, enable switching of paper feed precision.

Refer

"Changing Paper Feeding Accuracy" (p.15)

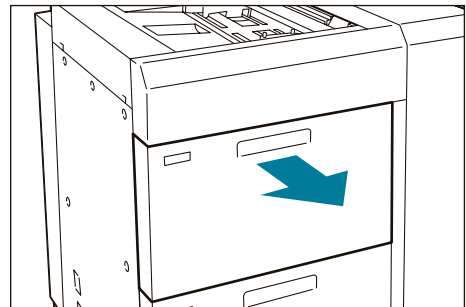
7. Push in the Paper Tray.

Postcard Setting

C3-DS/C1-DS: Attach Postcard Kit 2 to the Tray to load paper size 98 - 181.9 mm portrait or smaller.

B1-S: Attach Postcard Kit to the Tray to load paper size 100 - 181.9 mm portrait or smaller.

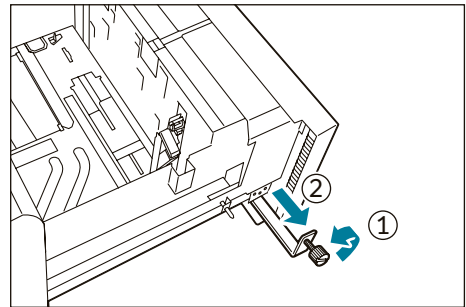
1. Pull out the Paper Tray toward you until it stops.
2. Remove any paper remaining in the Paper Tray.



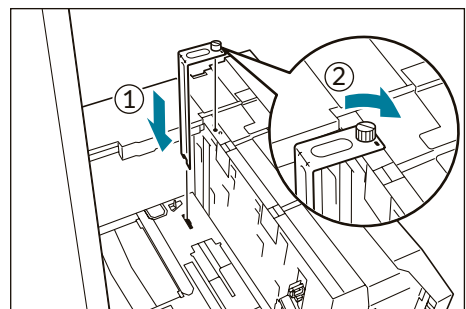
3. If the Kit is supplied with the Paper Tray, loosen the screw (①) on the left side of the Paper Tray to remove the Kit (②).

Note

- The Postcard Kit of C3-DS/C1-DS is placed in the upper Paper Tray.
- The Postcard Kit of B1-S is placed in the lower Paper Tray.



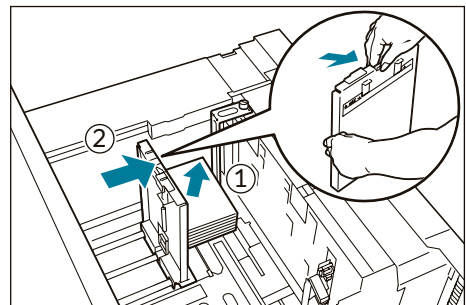
4. Insert the small protrusion of the Kit into the notch to the right side of the bottom of the Paper Tray (①). Align the hole of the Kit with the front Paper Tray hole and tighten the screw to fasten the Kit (②).



5. Load about 100 to 500 sheets of paper with the printed side facing up, and align the paper edges in the direction of the arrow (①).

Note

- Be sure to set them in short edge feed.
- The right side short edge of the set postcard will be the front edge.



6. Pinch the long-side paper guide grip and adjust to the correct paper size (②).

7. Load remaining sheets with the printed side facing up, and align the paper edges in the direction of the arrow (①).

8. Adjust the short-side paper guide to the correct paper size (②).

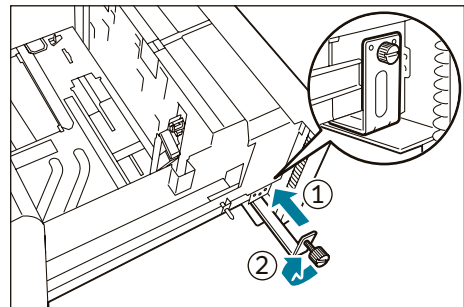
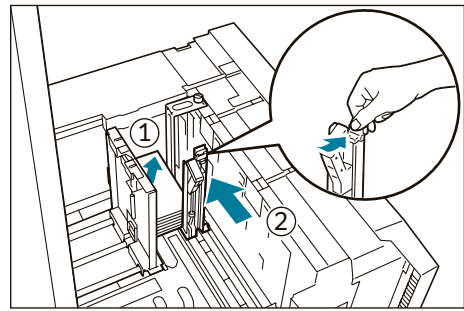
To leave a space, pinch the paper guide grip to move.

To narrow, push the paper guide to move.

9. Push in the Paper Tray.

10. To remove the Kit from the Paper Tray, loosen the screw completely and then remove the Kit.

11. Store the Kit in place by inserting it from the left side of the Paper Tray (①) and tightening the screw (②).



Special Media Setting

■ Hole Punched Paper

Orientation: Place the holes of paper on the right side when you face the front side of machine.

■ Precut Tab

Orientation: Place the tabs of paper on the left side when you face the front side of machine.

Loading Envelopes

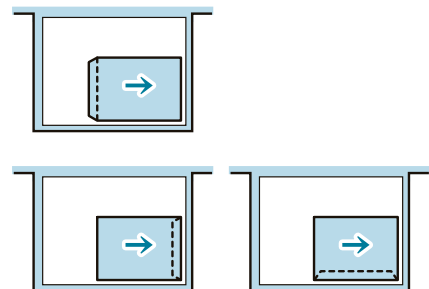
■ Before load

Check the envelopes.

- Are not the envelopes curled or their edges waved?
If there are envelopes strongly curl or edges waving, replace the envelopes or reform them to improve.
- Are not the envelopes adhered to each other?
If applicable, remove glue and the overlap of bonding parts.
- Are not any glue protruded?
If applicable, wipe the glue away.
- Are not the envelopes folded?

■ Load

- Loading side: Load sheets with the printed side facing up.
- Direction with the flap open: Place the flap of Envelope on the left side when you face the front side of machine.
- Direction with the flap closed: Place the flap of Envelope on the right or near side when you face the front side of machine.
- If printing is not possible with the paper loading orientation in the right figure due to the image orientation and flap open/close state, keep the paper loading orientation as shown in the right figure, and change the image orientation by the print server settings.



Important

Do not load too many sheets on the envelope. It may cause the envelope to tilt and the machine to malfunction.

Note

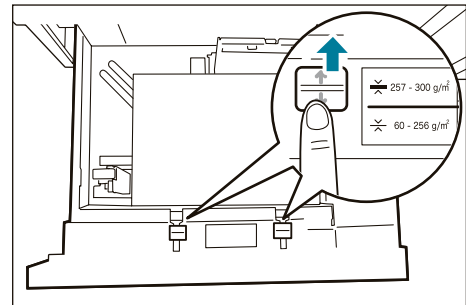
- If envelopes are loaded with the flaps unfolded, the size will not be automatically detected as standard size.
- Fold the flaps when loading self-seal envelopes.
- If you place the flap of envelope closed on this side, a failure in printing might occur on the rear edge of papers depending on the arranged images.
- A multifeed may be detected if the weights of each envelope are different.
- Decurling is needed if paper is curled.
- Loosening paper well is needed if the cutting surfaces of paper have burrs (cutting surfaces of paper).

Paper Settings

- Paper Type: Envelope
- Paper Weight: paper weight indicated on the paper
- Paper Size: Standard size if flaps closed, custom size if flaps opened

Paper Weight Change Button (B1-S)

Change by this button when using paper of 257 g/m² or more.



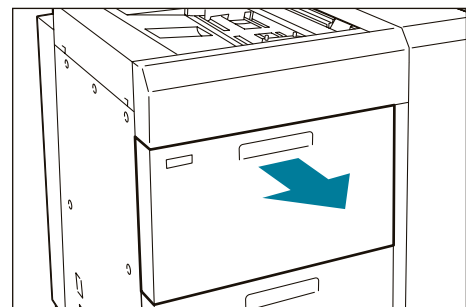
Changing Paper Feeding Accuracy

Enabling this function may improve print displacement when images are skewed (print position is displaced) even though plain paper with the paper weight of 220 g/m² or less is correctly loaded.

Note

- If this function is enabled when paper other than thick paper and plain paper is used, the machine cannot feed the paper properly, resulting in paper jams.
- It is not effective when the Postcard Kit is used.

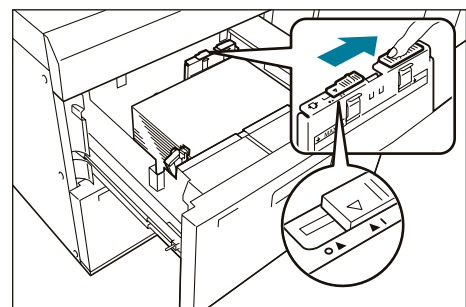
1. Pull out the Paper Tray until it stops.



2. Move the lever at the top of the long-side paper guide to the rightmost position (<I> position) to enable the changing.

Note

To reset the setting, move the lever to the leftmost position.



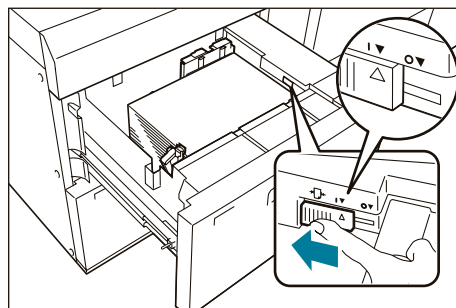
3. If the accuracy of paper feeding is not improved even if 2 is performed, move the lever at the right front to the rearmost position (<l> position) to enable the changing.

Note

To reset the setting, move the lever to the foremost position.

4. Push in the Paper Tray.

After using the paper in question, return the lever to the normal position <o>.



Loading to Bypass Tray

Images are printed on the face side of the loaded paper.

Important

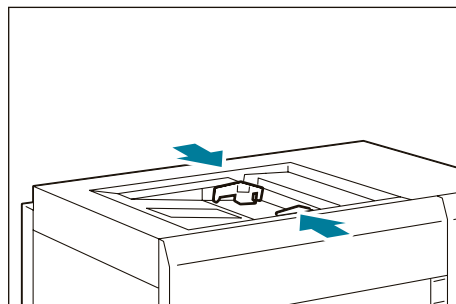
Do not load paper above the maximum fill line. It may cause paper jams or machine malfunction.

Note

- If the paper guide width is narrower or wider than the paper, it may cause paper jams.
- In the case of coated paper, only one sheet can be loaded.
The image quality and paper feeding capability are not guaranteed when more than one sheet is loaded.

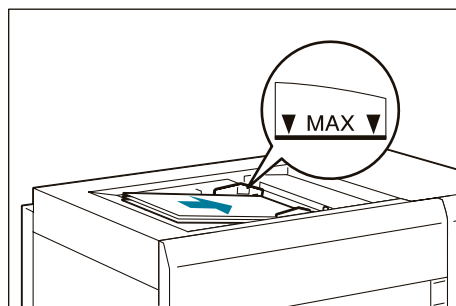
Slide Type

1. Adjust the paper guide to the size of loaded paper.



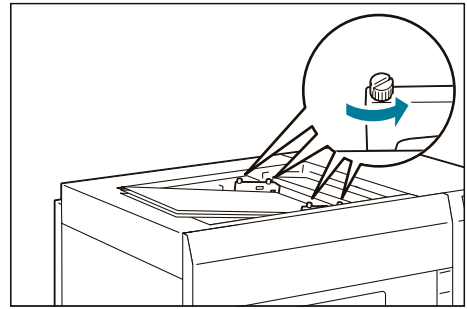
2. Fan the paper well and insert it along the paper guide all the way until it touches the back, with the printed side facing up.

3. When custom size paper is loaded, make fine-adjustment of the paper guide based on the paper size.

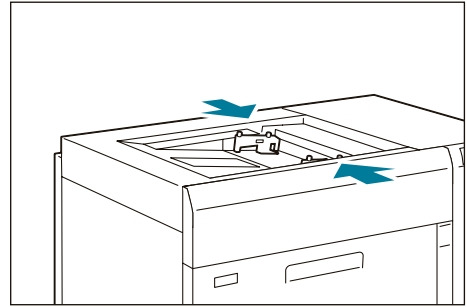


Flexible Type (for Long Paper)

1. Loosen the 4 screws of the paper guide.

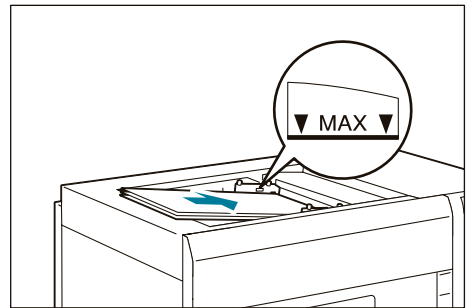


2. Hold the center of the paper guide and adjust it to the size of loaded paper.



3. Fan the paper well and insert it along the paper guide all the way until it touches the back, with the printed side facing up.

4. Secure the 4 screws of the paper guide.



Special Media Setting

■ Hole Punched Paper

Orientation: Place the holes of paper on the right side when you face the front side of machine.

■ Precut Tab

Orientation: Place the tabs of paper on the left side when you face the front side of machine.

■ Postcards

Orientation: SEF

Paper Jams

Note

The error indicator at the top of the machine is turned on. When the priority device indicator (top lamp) blinks, first of all perform the paper jam operation.

If paper is jammed, the machine stops and an alarm sounds. Follow the instructions displayed on the screen to remove the jammed paper.

Gently remove the paper being careful not to tear it. If paper is torn while it is being removed from the machine, remove all the torn pieces making sure that none remain inside the machine.

When you have finished clearing the paper jam, printing is resumed from the state before the paper jam occurred. If a paper jam occurred during copying, tap on [Start]. Copying is resumed from the state before the paper jam occurred.

Note

Clear the paper jams while the machine is on.

Paper Tray

1. Remove the jammed paper.

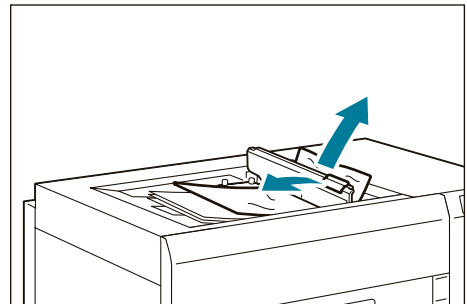
When Indicator E5 is Turned on.....p.18

When Indicator E6 is Turned on (C3-DS/C1-DS)p.18

When Indicator E6 is Turned on (B1-S), when Indicator E7 is Turned on (C3-DS/C1-DS)p.19

■ When Indicator E5 is Turned on

- (1) Open the Upper Cover and remove all the jammed papers and papers loaded on the tray.
- (2) Close the cover.
- (3) Align the 4 corners of the removed papers and load them again.



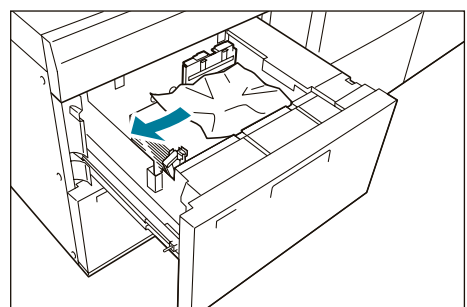
■ When Indicator E6 is Turned on (C3-DS/C1-DS)

- (1) Pull out the Paper Tray 6 (or 8) toward you until it stops.

Note

Confirm that no paper is jammed inside the Right Cover before pulling it out.

- (2) Remove the jammed paper.
- (3) Confirm the paper guide position and push in the Paper Tray.



.....

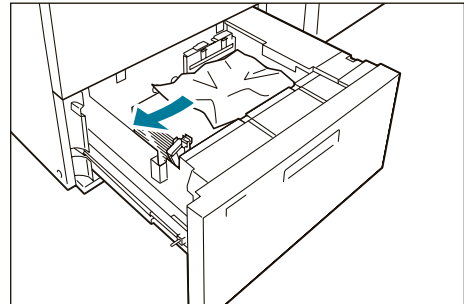
■ **When Indicator E6 is Turned on (B1-S), when Indicator E7 is Turned on (C3-DS/C1-DS)**

- (1) Pull out the Paper Tray 6 (or 7, or 9) toward you until it stops.

 **Note**

Confirm that no paper is jammed inside the Right Cover before pulling it out.

- (2) Remove the jammed paper.
- (3) Confirm the paper guide position and push in the Paper Tray.



Inside of the Right Cover (Right side at single or continuous feed configuration)

1. Open the Right Cover.

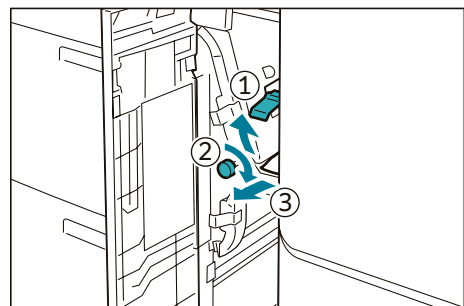
2. Remove the jammed paper.

When Indicator E1 is Turned on.....	p.19
When Indicator E2 is Turned on.....	p.19
When Indicator E3 is Turned on.....	p.20
When Indicator E4 is Turned on.....	p.20

.....

■ **When Indicator E1 is Turned on**

- (1) Open lever [1d] upward (①), turn knob [1c] clockwise (②), and remove the jammed paper (③).
- (2) Return lever [1d].



.....

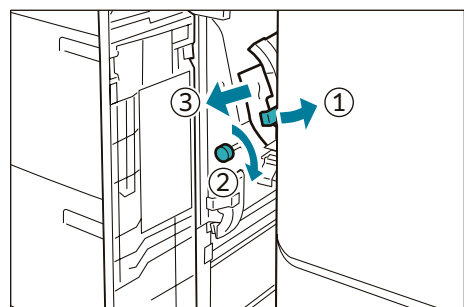
■ **When Indicator E2 is Turned on**

- (1) Open lever [1a] to the right (①), turn knob [1c] clockwise (②), and remove the jammed paper (③).

 **Note**

Turn knob [1c] 3 times or more.

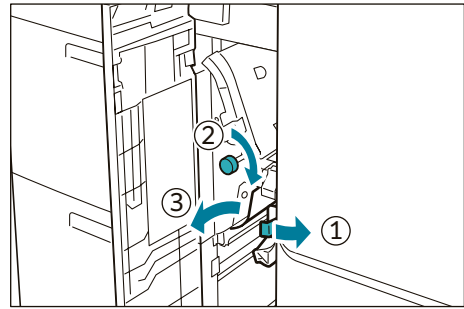
- (2) Return lever [1a].



.....

■ **When Indicator E3 is Turned on**

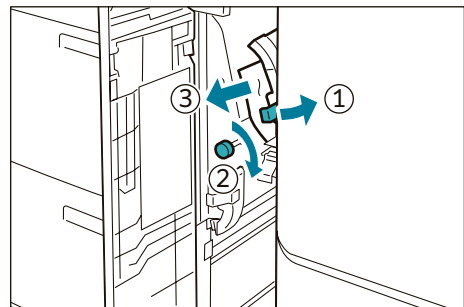
- (1) Open lever [1b] to the right (①), turn knob [1c] clockwise (②), and remove the jammed paper (③).
- (2) Return lever [1b].



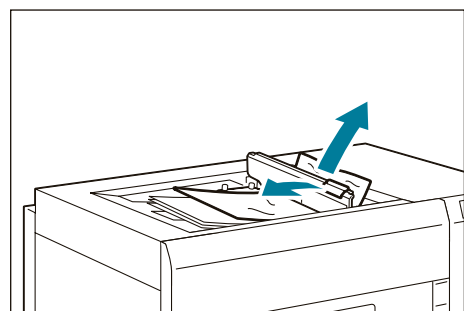
.....

■ **When Indicator E4 is Turned on**

- (1) Open lever [1a] to the right (①), turn knob [1c] clockwise (②), and remove the jammed paper (③).



- (2) If you have difficulty in removing the papers, open the Upper Cover and remove the jammed paper.
- (3) Return lever [1a].



-
- 3. Close the cover.

Inside the Right Side Cover (Left side at continuous feed configuration)

1. Open the Right Cover.

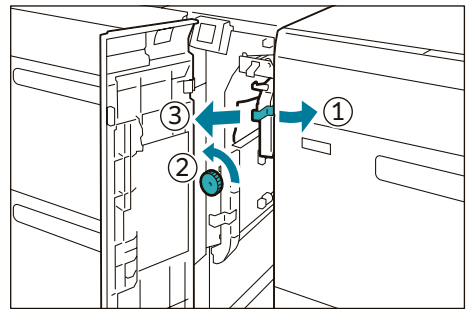
2. Remove the jammed paper.

When Indicator E1 is Turned on.....	p.21
When Indicator E2 is Turned on.....	p.21
When Indicator E3 is Turned on.....	p.22
When Indicator E4 is Turned on.....	p.22

■ When Indicator E1 is Turned on

(1) Open lever [1a] to the right (①), turn knob [1c] counter-clockwise (②), and remove the jammed paper (③).

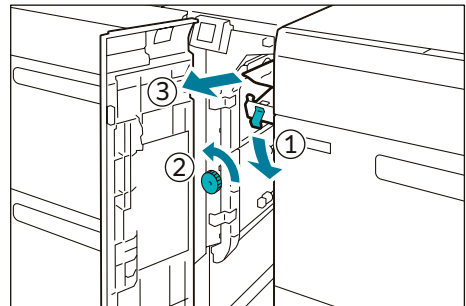
(2) Return lever [1a].



■ When Indicator E2 is Turned on

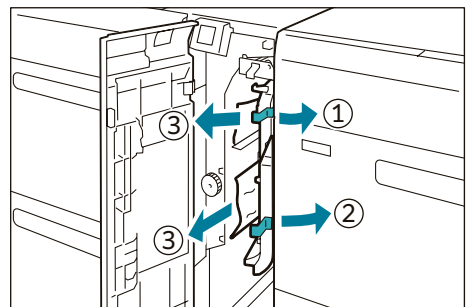
(1) Open lever [1d] downward (①), turn knob [1c] counter-clockwise (②), and remove the jammed papers (③).

(2) Return lever [1d].



(3) Open lever [1a] to the right (①), open lever [1b] to the right (②), and remove jammed papers (③).

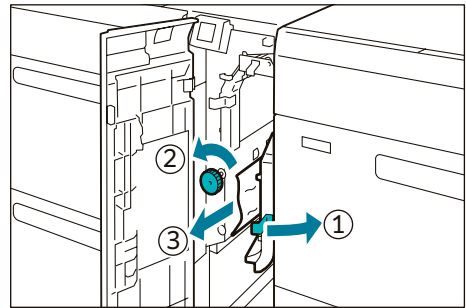
(4) Return lever [1a] and lever [1b].



.....

■ **When Indicator E3 is Turned on**

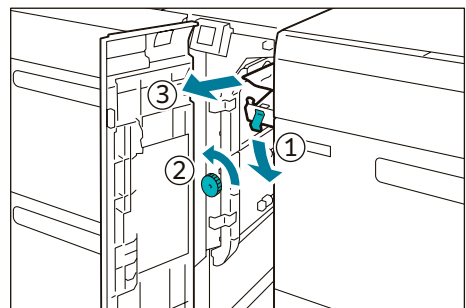
- (1) Open lever [1b] to the right (①), turn knob [1c] counterclockwise (②), and remove the jammed paper (③).
- (2) Return lever [1b].



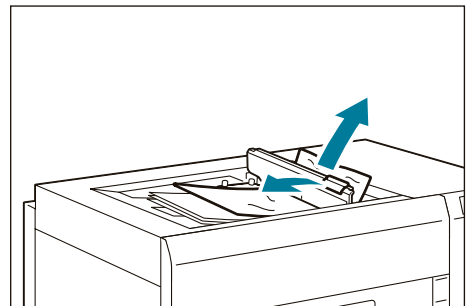
.....

■ **When Indicator E4 is Turned on**

- (1) Open lever [1d] downward (①) and turn knob [1c] counterclockwise (②). Remove jammed papers (③).



- (2) If you have difficulty in removing the papers, open the Upper Cover and remove the jammed paper.
- (3) Return lever [1d].



-
- 3. Close the cover.

Paper Feeding Unit (Right side at continuous feed configuration)

■ When Indicator E5 is Turned on

(1) Pull out the top cover toward you until it stops.

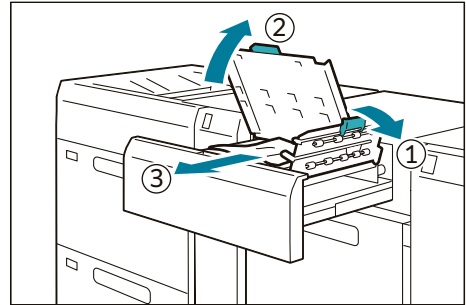
 **Note**

Before pulling out the Tray, make sure no paper is jammed inside the right side cover.

(2) Open lever [2a] to the right (①) and lever [2b] upward (②), and remove jammed papers (③).

(3) Return lever [2a] and lever [2b].

(4) Push in the cover.



Cleaning Machine

- When you clean machine products, use the cleaning materials designated in every step.
- To wipe with a wet cloth, use the soft cloth tightly wrung out of water. If the parts are not completely dry, the machine may malfunction.
- Using commercially available non-woven dry type fabric is effective for cleaning paper dust. Choose Non-woven fabric with soft and highly adsorptive that can easily wipe dirt and dust off. Do not use nonwoven fabric containing organic solvents or a polishing agent.
- Do not use benzene, paint thinner, or other organic solvents. Doing so might damage paint or coating on plastic parts.

Note

After cleaning, be sure to close the cover. Leaving the cover open will not be able to continue to jobs.

Running Paper

Cleaning may temporarily cause a number of white dots to appear on the output. After cleaning, feed paper through the machine to ensure effectiveness of the cleaning.

1. Create image data consisting C100% and M100% for SRA3 or A3 size.
2. Run a 2-sided job to print this image on about 20 sheets of paper.

Cleaning inside the Machine

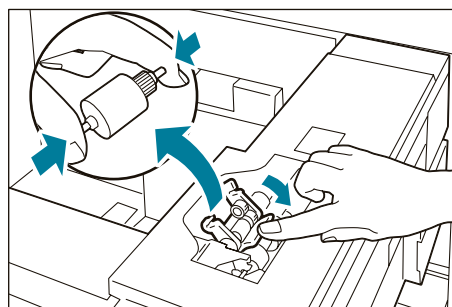
No.	Work	Frequency	Page
1	Cleaning High Capacity Trays	Every week (When collected paper dust is found in the paper guide or roller in the feeder cover)	p.24
2	Cleaning the Paper Feeding Unit in the High Capacity Tray	Every week	p.26

Note

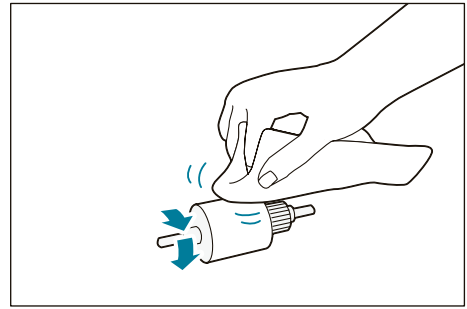
When you have finished cleaning, make sure the roller and the surface of paper path are free from foreign objects.

Cleaning High Capacity Trays

1. Pull out the Paper Tray toward you until it stops.
2. Clean the roller in the feeder cover located on the right side of the Paper Tray.
 - (1) Press down the roller 1 holder to the direction of the arrow, and remove roller 1 by picking up the both ends of its pin with fingers.



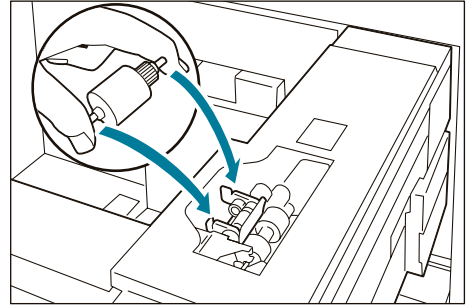
- (2) Wipe the surface of roller 1 with the soft cloth tightly wrung out of water.



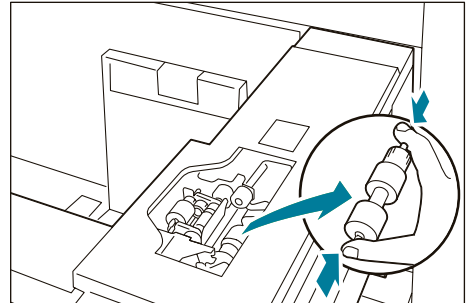
- (3) Reinstall roller 1.

Note

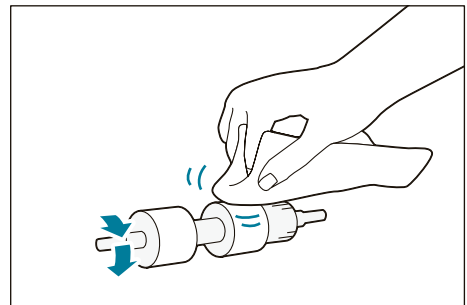
Make sure that roller 1 is installed in the holder completely.



- (4) Remove roller 2 by picking up the both ends of its pin.



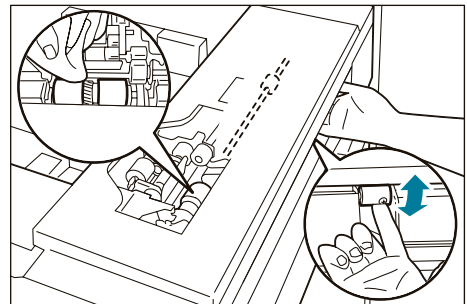
- (5) Wipe the surface of roller 2.



- (6) Rotate the shaft of roller 3 with one hand, and wipe the surface of roller 3 with the other hand.

Note

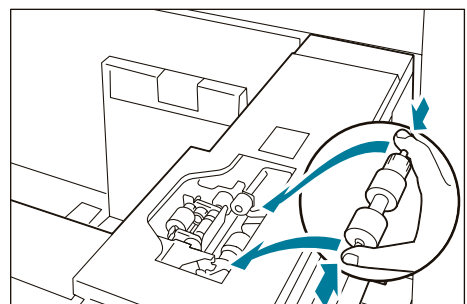
Clean roller 3 without reinstalling roller 2.



- (7) Reinstall roller 2.

3. Push in the Paper Tray.

4. Clean also the other Paper Tray with the steps 1 to 3.

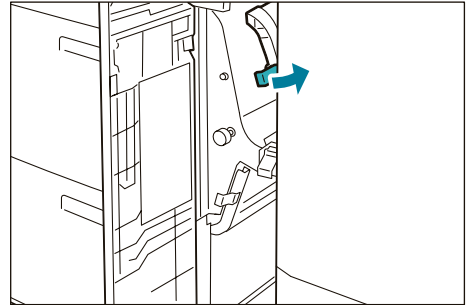


Cleaning the Paper Feeding Unit in the High Capacity Tray

Note

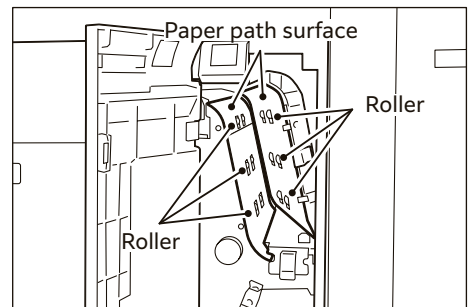
- Do not press a roller during the cleaning, otherwise the roller may drop off.
- Non-woven dry type fabric can be used effectively for cleaning paper dust.

1. Open the Right Cover.
2. Open lever [1a] to the right.



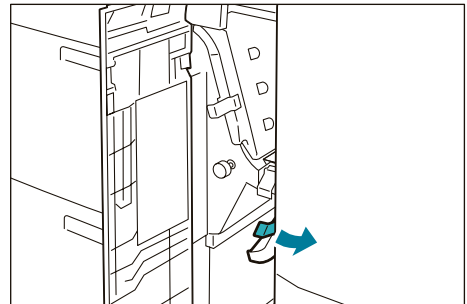
3. Clean behind lever [1a].

- (1) Wipe the roller surface with the soft cloth tightly wrung out of water.
- (2) Lightly wipe paper dust off on the surface of the paper path.



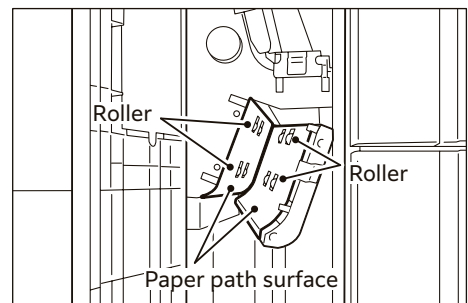
4. Return lever [1a].

5. Open lever [1b] to the right.



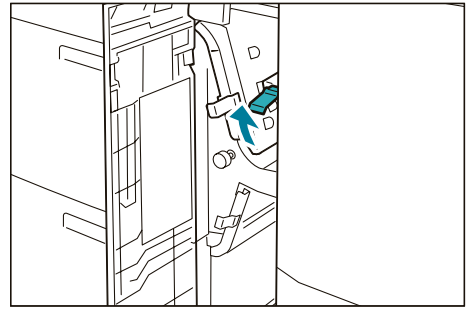
6. Clean behind lever [1b].

- (1) Wipe the roller surface with the soft cloth tightly wrung out of water.
- (2) Lightly wipe paper dust off on the surface of the paper path.



7. Return lever [1b].

8. Open lever [1d] upward.



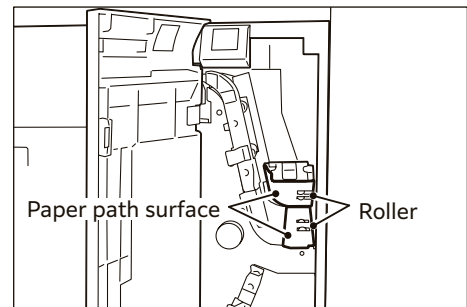
9. Clean behind lever [1d].

(1) Wipe the roller surface with the soft cloth tightly wrung out of water.

(2) Lightly wipe paper dust off on the surface of the paper path.

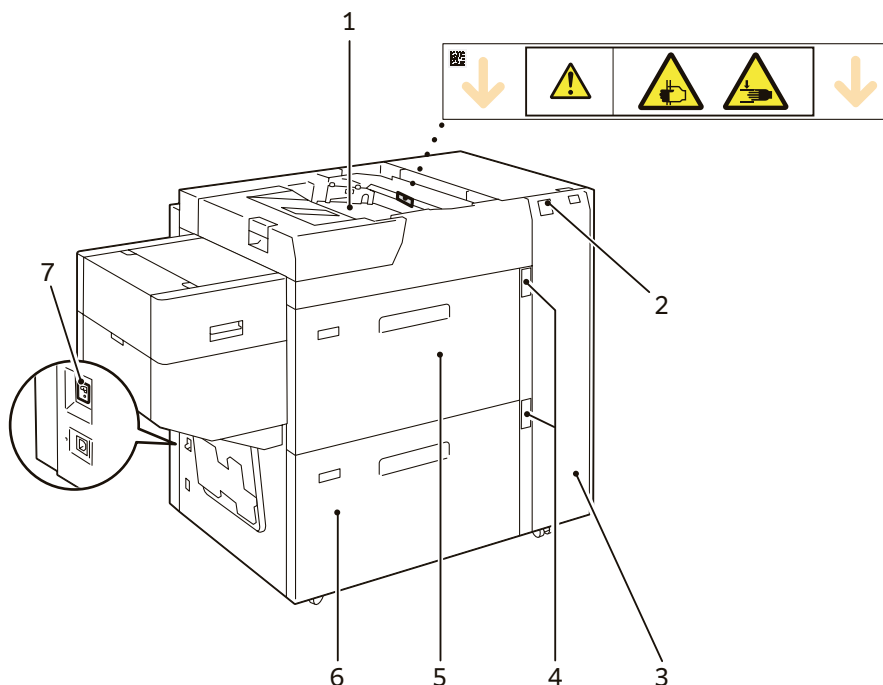
10. Return lever [1d].

11. Close the cover.



3 Air Suction Feeder C1-DS/C1-DSXL

Device Components / Caution Labels



No.	Component		Function
1	Bypass Tray (Tray 5)		Load paper here.
2	Error Indicator		When paper jam occurs, the indicator is turned on. When the priority device indicator (top lamp) blinks, first of all perform the paper jam operation.
3	Right Cover		Open this cover to clear paper jams.
4	Remaining Volume Indicator		When the Paper Tray is in operation, the top lamp is turned on. You can check the remaining volume of paper with the 4 lamps (each lamp indicates 25%) at the center. When Paper Replenish Indicator is turned on, paper is empty.
5	Air Tray Long Paper Tray	Tray 6 (8 for 2nd Feeder)	Load paper here.
6	Air Tray	Tray 7 (9 for 2nd Feeder)	
7	Ground Fault Interrupter		A switch to automatically switch the machine off when a current leakage is detected.

Note

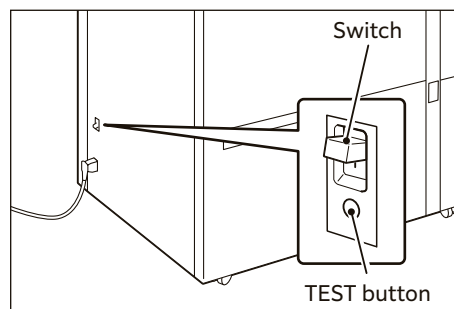
The Ground Fault Interrupter, Bypass Tray, Paper Jams and Cleaning the Paper Feeding Unit in the High Capacity Tray are the same as the "2 High Capacity Feeder B1-S/C3-DS/C1-DS" (p.9).

Ground Fault Interrupter

When not using for an extended period or when moving the unit, set the switch to the lower position to turn the machine power off.

Note

Do not operate the switch under normal circumstances because it is turned off when a current leakage is detected. For the current leakage, refer to "User's Manual".



Main Specifications

Item	Specification					
Paper size	Standard size		Max	A3, 11 x 17"		
			Min	Air Tray	A6	
				Long Paper Tray	A4	
	Custom size (mm)	Bypass Tray	Width	Revoria Press SC180/SC170: 98 to 330 Revoria Press EC1100: 98 to 330.2		
			Length	Revoria Press SC180/SC170: 146 to 660 Revoria Press EC1100: 146 to 660.4		
		Air Tray	Width	Revoria Press SC180/SC170: 98 to 330 Revoria Press EC1100: 98 to 330.2		
			Length	148 to 488		
		Long Paper Tray	Width	Revoria Press SC180/SC170: 210 to 330 Revoria Press EC1100: 210 to 330.2		
Length			210 to 1,200 (with automatic duplex printing: 864)			
<h3>Note</h3> <p>The Postcard inserter is needed for Postcard (100 x 148 mm) and paper its length is shorter than 182 mm.</p>						
Paper weight (g/m ²)	Uncoated	52 to 400				
	Coated	72 to 400				
<h3>Note</h3> <p>For long papers of over 330 x 488 mm, supported weight is 52 to 350 g/m² up to 330 x 660 mm, 52 to 300 g/m² up to 330 x 864 mm, and 52 to 256 g/m² up to 330 x 1,200 mm. For automatic duplex printing with long papers, it can handle up to 220 g/m² (Revoria Press SC180/SC170) or 300 g/m² (Revoria Press EC1100).</p>						
Tray capacity (sheets)	<ul style="list-style-type: none"> • 2,100 (90g/m²) x 2 trays (Max 4,200 (90g/m²)), Bypass Tray: 250 • Air Tray: 2,100 (90g/m²) sheets, Long Paper Tray: 800 (90g/m²) sheets (more than 864mm: 100 sheets (90 g/m²)) and Bypass Tray: 250 sheets 					
Power supply	AC 100 to 120 V ± 10%, 6 A, 50/60 Hz common AC 220 to 240 V ± 10%, 4 A, 50/60 Hz common					
Maximum power consumption	AC 100 V: 600 W / AC 220 V: 880 W					
Dimensions (mm)	standard	Width 988 x Depth 762 x Height 992				
	equipped with Long Paper Tray unit	Width 1,580 x Depth 762 x Height 992				

Item	Specification		
Weight (kg)	standard	Single	Revoria Press SC180/SC170: 198 Revoria Press EC1100: 194
		Continuous feed configuration	Revoria Press SC180/SC170: 407 Revoria Press EC1100: 403
	equipped with Long Paper Tray unit	Single	Revoria Press SC180/SC170: 217 Revoria Press EC1100: 213
		Continuous feed configuration	Revoria Press SC180/SC170: 424 Revoria Press EC1100: 420

Note

Revoria Press SC180/SC170: Including the weight of the Bypass Tray for Long Paper and the large operation panel.
Revoria Press EC1100: Including the weight of the Bypass Tray for Long Paper.

Loading Paper

Important

Do not load paper above the maximum fill line. It may cause paper jams or machine malfunctions.

Note

- Position the guides correctly to match the paper size. Incorrectly positioned guides may cause misfeeding and paper jams.
- In the event power is disconnected while the Tray's bottom plate is rising, the plate may not move up when the power is recovered. In this case, pull out the Tray, make sure the plate is lowered, and then push the Tray into the machine slowly and firmly.
- When paper sheets are loaded or fed, the Tray makes a sound of supplying air. This is caused by the Air Assist function and not an abnormal noise.

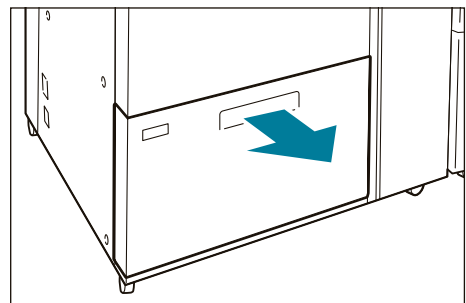
Loading paper in Air Trays

Images are printed on the face side of the loaded paper.

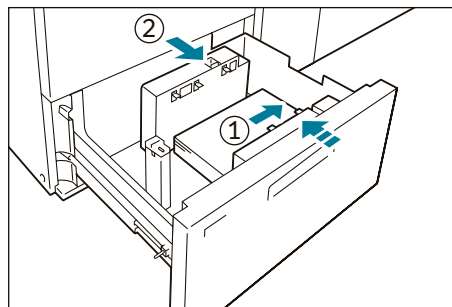
Note

If the amount of the loaded paper is less than 100 sheets, the guides apply more pressure to the paper. It may cause the paper to be distorted, leading to paper jams.

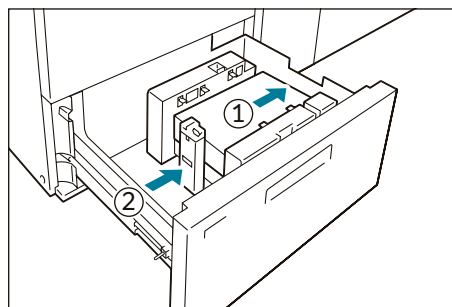
1. Pull out the Tray toward you until it stops.
2. Remove any paper remaining in the Tray.



3. Fan the paper well and load about 100 - 500 sheets with the printed side facing up, and the paper edges aligned in the direction of the arrow (①).
4. Hold the long-side paper guide by its grip and move it to lightly contact the paper edges (②).



5. Load remaining sheets with the printed side facing up, and align the paper edges in the direction of the arrow (①).

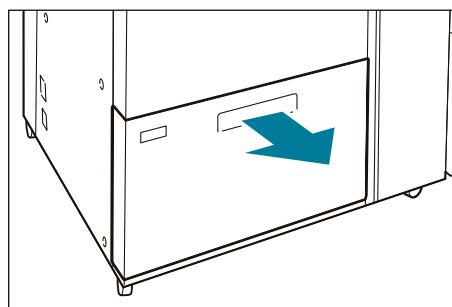


6. Move the short-side paper guide to lightly contact the paper edges (②).
To leave a space, hold the paper guide by its grip to move.
To narrow, push the paper guide to move.
7. Push the Tray into the machine.

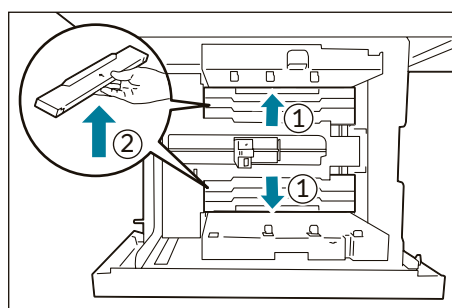
Postcard Setting

Attach Postcard Kit for Air Suction Feeder to the Tray to load paper size 98 - 181.9 mm portrait or smaller.

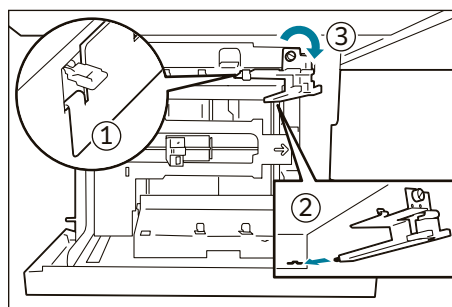
1. Pull out the Tray toward you until it stops.
2. Remove any paper remaining in the Tray.



3. Remove the shutters
 - (1) Fold the shutters.
 - (2) Hold the shutters up and remove them.



4. Insert the guide B into the slit on your side (①) and the slit on the bottom (②), and then tighten the screw of the guide to fix (③).



- Insert the guide A into the slit on the interior side (①) and the slit on the bottom (②), and then tighten the screw of the guide to fix (③).

Important

If the screw is not tightened well, it may hit on the transport device to result in break.

- Load about 100 - 500 sheets of paper with the printed side facing up, and align the paper edges in the direction of the arrow (①).

Note

- Be sure to set them in short edge feed.
- The right side short edge of the set postcard will be the front edge.

- Hold the long-side paper guide by its grip and move it to lightly contact the paper edges (②).

- Load remaining sheets with the printed side facing up, and align the paper edges in the direction of the arrow (①).

- Move the short-side paper guide to lightly contact the paper edges (②).

To leave a space, hold the paper guide by its grip to move.
To narrow, push the paper guide to move.

- Push the Tray into the machine.

- To remove, unfasten the screw of the guide entirely before remove.

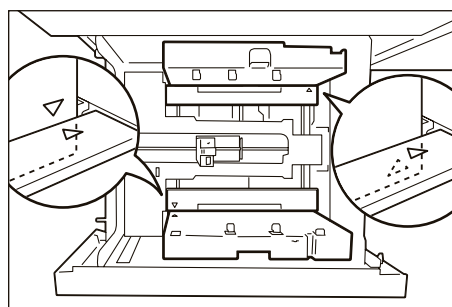
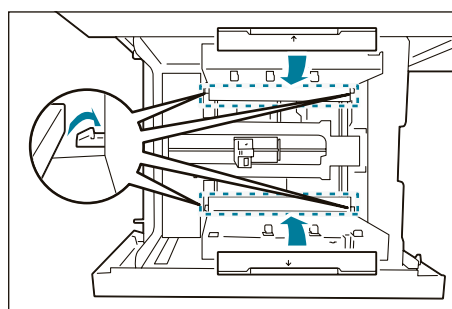
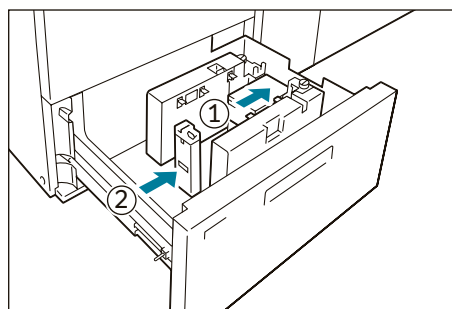
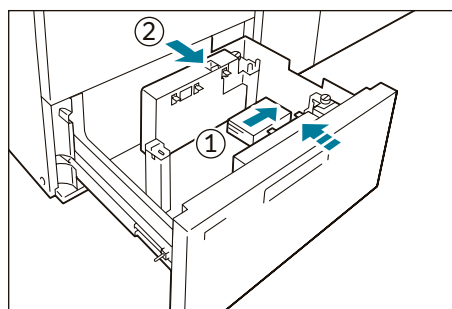
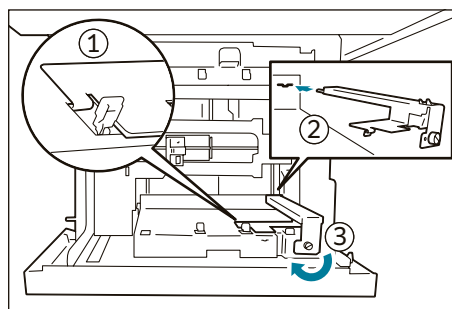
- To mount the shutters, place the shutters on the original positions and expand them.

Hang the edges of the shutters on the protrudes. Confirm that they are firmly fixed.

Note

Align the \triangle marks so that the shutters are facing the correct direction.

In the correct mounting condition, the \triangle mark on the guide at the top edge of the paper should not be visible, and the \triangle mark on the guide at the bottom edge of the paper should be visible.



Special Media Setting

■ Hole punched paper

Orientation: Place the holes of paper on the right side when you face the front side of machine.

■ Precut tab

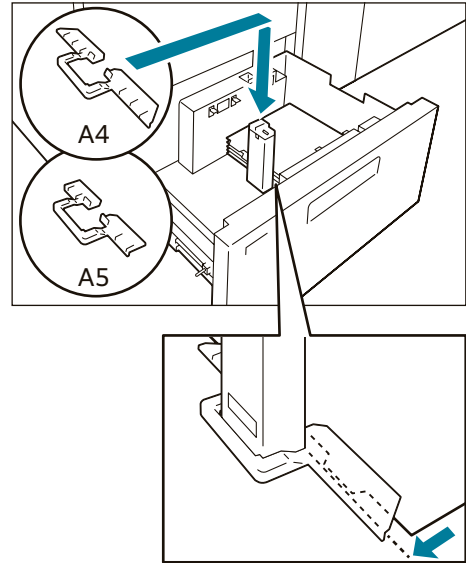
Orientation: Place the tabs of paper on the left side when you face the front side of machine.

After loading paper, mount the tab guide (for A5 or A4) on the short-side paper guide clip.



Note

Make sure that the rear edges (tab parts) of the precut tab fit the notch of the tab guide.



Loading Envelopes

■ Before load

Check the envelopes.

- Are not the envelopes curled or their edges waved?
If there are envelopes strongly curl or edges waving, replace the envelopes or reform them to improve.
- Are not the envelopes adhered to each other?
If applicable, remove glue and the overlap of bonding parts.
- Are not any glue protruded?
If applicable, wipe the glue away.
- Are not the envelopes folded?

When not using Envelope Kit, confirm that the top surface of the pile of envelopes is flat.



■ To flatten the top surface

(1) Place 100 envelopes on a level tabletop.

(2) Press down the higher side of the top surface of the envelopes bunch.



Note

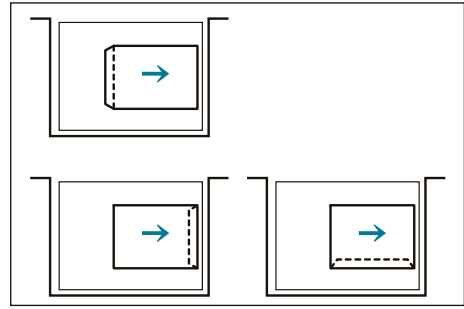
When the higher side are not flattened, reduce the number of loaded paper until it becomes flat.
After flattening, repeat (1) and (2) to increase the number of loaded paper.

■ Loading position

- Loading side: Load sheets with the printed side facing up.
- Direction with the flap open: Place the flap of Envelope on the left side when you face the front side of machine.
- Direction with the flap closed: Place the flap of Envelope on the right or near side when you face the front side of machine.

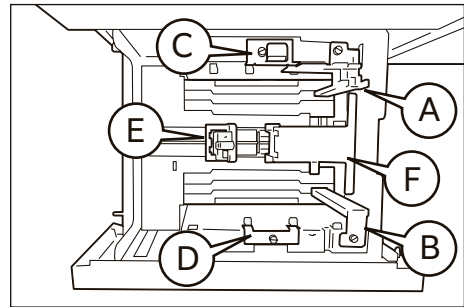
Note

- Fold the flaps when loading self-seal envelopes.
- If the printing does not work due to the image orientation or whether the flaps open or not, change the image orientation from Print Server while not changing the paper loading direction.



■ Components for Loading the Envelopes with Open Flaps

When loading C4 (324 x 229 mm), C5 (229 x 162 mm), DLX (235 x 120 mm), use Envelope Kit (optional).
Confirm the components to use in the following table.



Envelope Size	Postcard Kit*		Envelope Kit				
	A	B	C	D	E	F1	F2
C4			C	D	E	F1	
C5	A	B			E		F2
DLX	A	B			E		F2
Other than the above sizes (portrait: 181.9 mm or less)	A	B					
Other than the above sizes (portrait: 182.0 mm or more)			C	D			

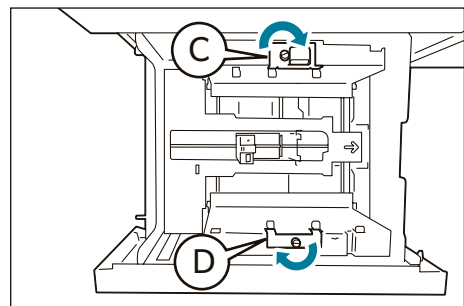
* When attach Postcard Kit (A and B), remove shutters.

■ Envelope Kit

1. Fasten the screws to the long-side paper guide on the back side to fix C.
2. Fasten the screws to the long-side paper guide on the front side to fix D.

Important

If the screw is not tighten well, it may hit on the transport device to result in break.

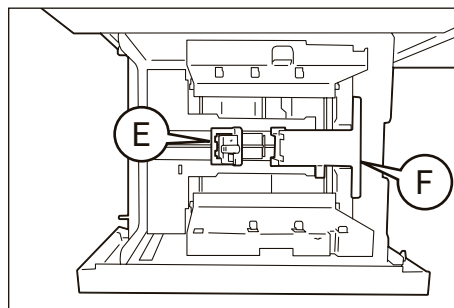


3. Attach E on the short-side paper guide.

The higher side is the front edge of the paper (the right side for the right figure).

4. Place F1/F2 along the wall on the front edge of the paper.

Confirm that they are firmly fixed.



■ Load

1. Pull out the Tray toward you until it stops.

2. Remove any paper remaining in the Tray.

3. Attach or remove shutter, Postcard Kit and Envelope Kit, depending on the size of the envelope.

Refer

"Postcard Setting" (p.31)

"Envelope Kit" (p.34)



■ For Using Envelope Kit

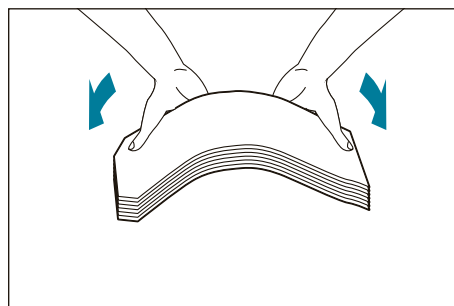
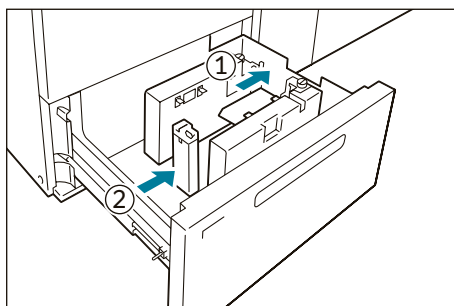
- (1) Load one envelope with the printed side facing up, align the paper edges in the direction of the arrow to put it on E and F (①), and move the short-side paper guide to lightly contact the paper edges (②).

To leave a space, hold the paper guide by its grip to move.
To narrow, push the paper guide to move.

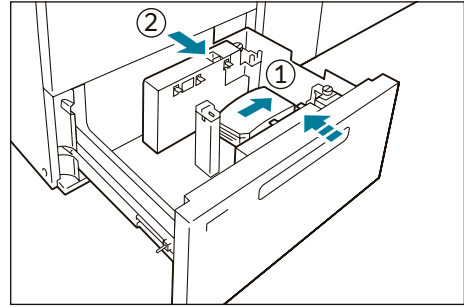
Note

Do not forcefully press the guide or leave a gap between the short-side paper guide and the envelope. It may cause a paper feeding error.

- (2) With a bundle of about 100 sheets, warp the envelope to load.



- (3) Load a warped bundle of envelopes with the printed side facing up, and align the envelopes edges in the direction of the arrow (①).
- (4) Hold the long-side paper guide by its grip and move it to lightly contact the paper edges (②).
- (5) When loading the paper continuously, widen the long-side paper guide and then repeat steps from (2) to (4) for every bundle of about 100 sheets.



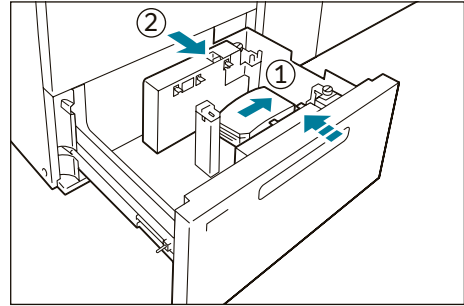
When using Postcard Kit, align the envelopes by putting your hand between the long-side paper guide and the envelopes.

Note

If the envelopes do not align, misalignment on prints or a paper feeding error may occur.

■ For not using Envelope Kit

- (1) Load bundle of about 100 sheets with the printed side facing up, and the paper edges aligned in the direction of the arrow (①).
- (2) Hold the long-side paper guide by its grip and move it to lightly contact the paper edges (②).
- (3) When loading the paper continuously, widen the long-side paper guide and then repeat preceding steps for every bundle of about 100 sheets.



When using Postcard Kit, align the envelopes by putting your hand between the long-side paper guide and the envelopes.

Note

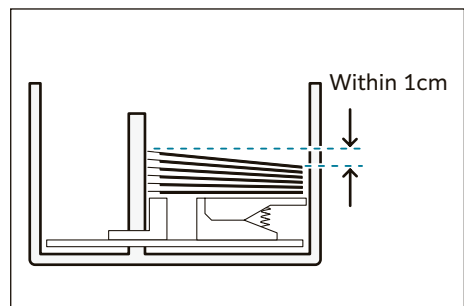
If the envelopes do not align, misalignment on prints or a paper feeding error may occur.

- (4) Move the short-side paper guide to lightly contact the paper edges.
To leave a space, hold the paper guide by its grip to move.
To narrow, push the paper guide to move.

4. Confirm that the top surface of the loaded envelopes is flattened.

Important

- The followings may cause a device malfunction.
 - When loading envelopes above the maximum fill line
 - When loading envelopes with an amount that exceeds the wall on the front edge of them
 - When the top surface of the pile of envelopes incline
- The height difference between the front and back edge of the paper should be no more than 1 cm, with the front edge of the paper on the low side. (This also applies when the envelope kit is not used.)



5. Push the Tray into the machine.

Reduce the number of envelopes to load if any of the following error occurs.

- Paper level indicator lamp does not light
- Tray 6: 078-250, Tray 7: 078-260, Tray 8: 178-250, Tray 9: 178-260

Note

- Paper level indicator lamp is not correctly displayed.
- If the paper empty indicator lamp when you load only the small number of envelopes, load more envelopes.

■ Paper Settings

- Paper Type: Uncoated
- Paper Weight: two times of the indicated weight (140 g/m² if 70 g/m² is indicated)
- Paper Size: standard size if flaps closed, custom size if flaps opened
- For the Air Assist adjustment or troubleshooting for printing envelopes, refer to Air Suction Feeder Quick Guide for Envelope.

Note

- If envelopes are loaded with the flaps unfolded, the size will not be automatically detected as standard size.
- If you place the flap of envelope closed on this side, a failure in printing might occur on the rear edge of papers depending on the arranged images.
- A multifeed may be detected if the weights of each envelope are different.
- Decurling is needed if paper is curled.
- Loosening paper well is needed if the cutting surfaces of paper have burrs.

■ Loading on Long Paper Tray

Images are printed on the face side of the loaded paper.

Note

- If the amount of the loaded paper is less than 100 sheets (10 to 20 sheets for 864 mm or longer paper), the guides apply more pressure to the paper. It may cause the paper to be distorted, leading to paper jams.
- Postcard Kit for Air Suction Feeder cannot be used with the long paper tray.

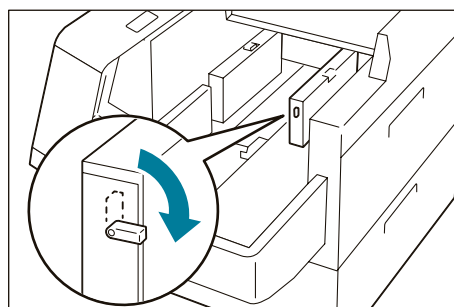
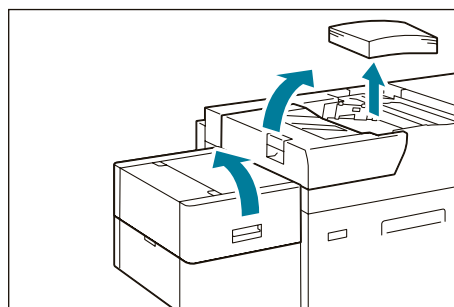
488 mm or Smaller Paper

1. Remove the paper loaded on the Bypass Tray.

2. Open two covers.

3. Turn the lever on the left of the long-side paper guide downward.

4. Remove any paper remaining in the Tray.



5. If the short-side paper guide is stored, pull the short-side guide up.

- (1) Open the shutter while pinching the lever.**
- (2) Hold the paper guide and pull it up. Pull the paper guide until it clicks to be fixed.**
- (3) Close the shutter while pinching the lever.**

Important

Do not hold the paper guide clip to pull up. The guide clip may break.

6. Load about 100 - 500 sheets of paper with the printed side facing up, and align the paper edges in the direction of the arrow (①).

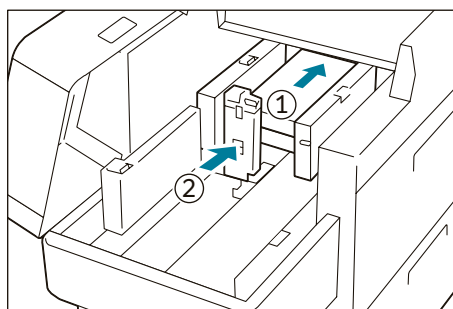
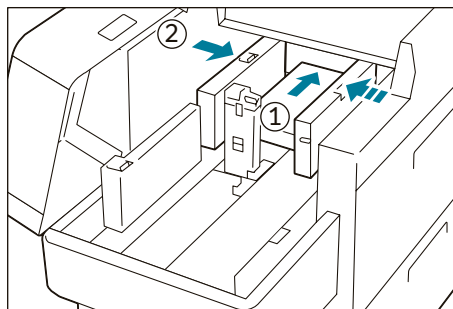
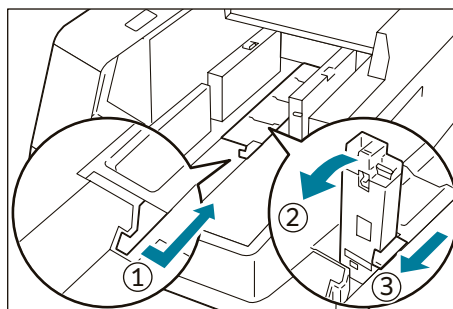
7. Hold the long-side paper guide by its grip and move it to lightly contact the paper edges (②).

8. Load remaining sheets with the printed side facing up, and align the paper edges in the direction of the arrow (①).

9. Move the short-side paper guide to lightly contact the paper edges (②).

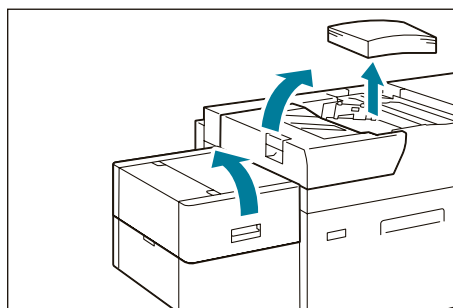
To leave a space, hold the paper guide by its grip to move.
To narrow, push the paper guide to move.

10. Close two covers.



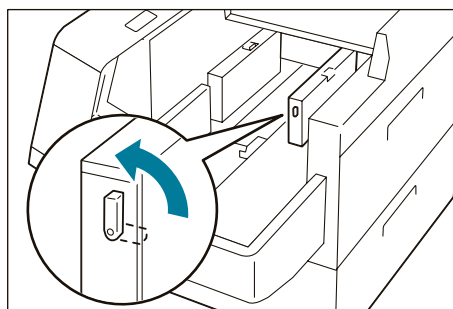
488.1 to 864 mm Paper

- 1. Remove the paper loaded on the Bypass Tray.**
- 2. Open two covers.**



3. Turn the lever on the left of the long-side paper guide upward.

4. Remove any paper remaining in the Tray.

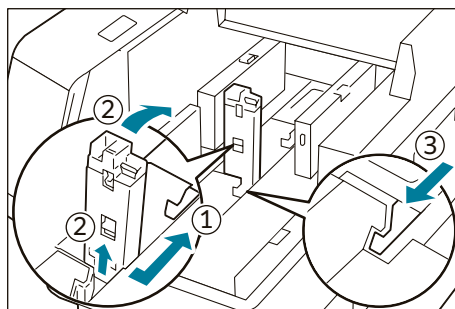


5. If the short-side paper guide is standing, store it.

(1) Open the shutter while pinching the lever.

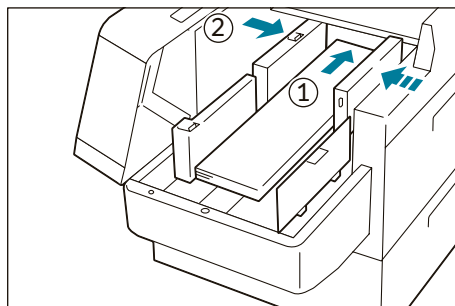
(2) Lay the paper guide down while holding the release lever.

(3) Close the shutter while pinching the lever.



6. Load about 100 sheets of paper with the printed side facing up, and align the paper edges in the direction of the arrow (①).

7. Hold the right side long-side paper guide by its grip and move it to lightly contact the paper edges (②).

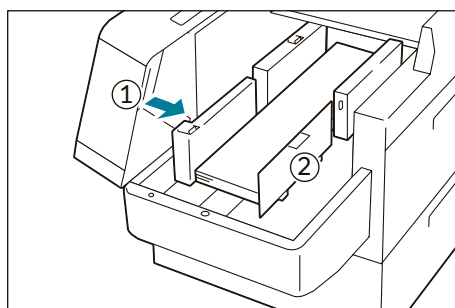


8. Hold the left side long-side paper guide by its grip and move it to lightly contact the paper edges (①).

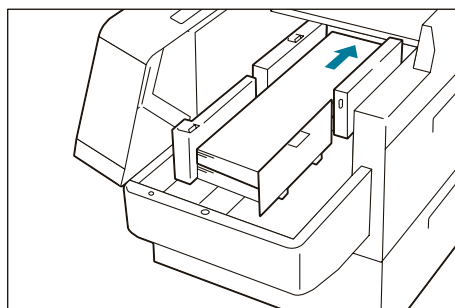
9. Place the bottom edge paper guide to fit the loaded paper (②).

Note

The bottom edge guide is removable. Install it in the direction such that the metal surface touches paper.



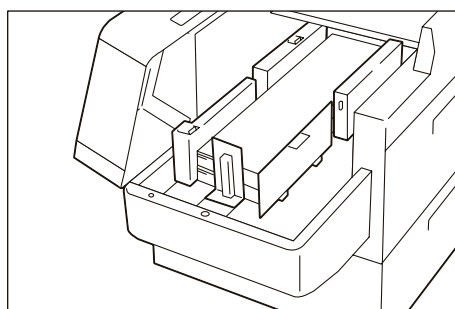
10. Load remaining sheets with the printed side facing up, and align the paper edges in the direction of the arrow.



11. Place the rear edge paper guide to fit the loaded paper.

Note

The rear edge guide is removable. Install it in the direction such that the metal surface touches paper.

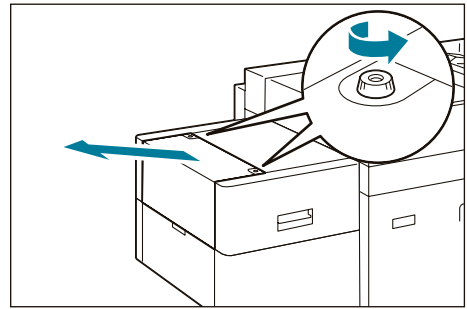


12. Close two covers.

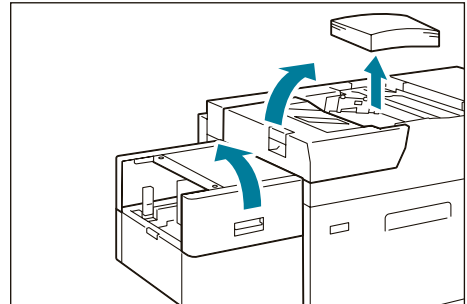
864.1 mm or Larger Paper

Up to 100 sheets (90 g/m² paper) can be loaded.

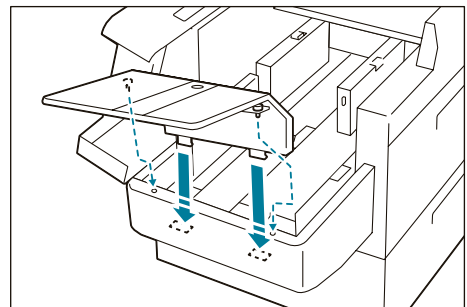
1. Unfasten the screws and remove the left side cover.



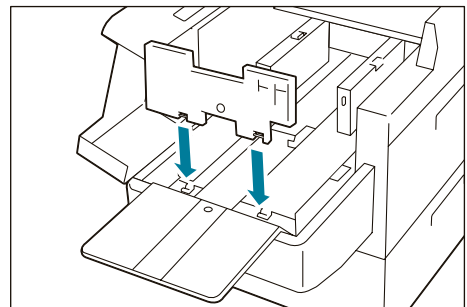
2. Remove the paper loaded on the Bypass Tray.
3. Open two covers.



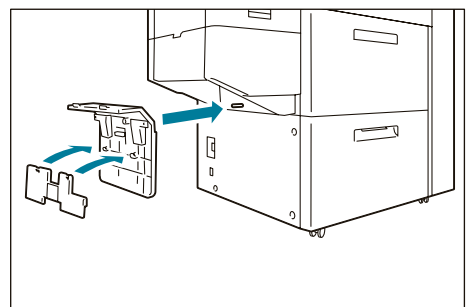
4. Attach the extension tray and the supporting plate.
(1) Insert the extension tray and tighten the screws to fix.



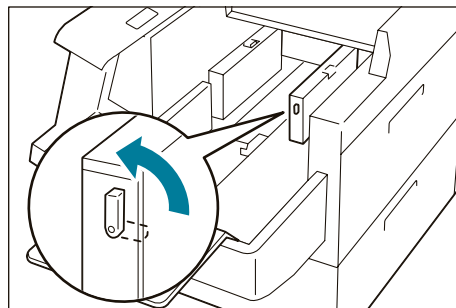
- (2) Insert the supporting plate.



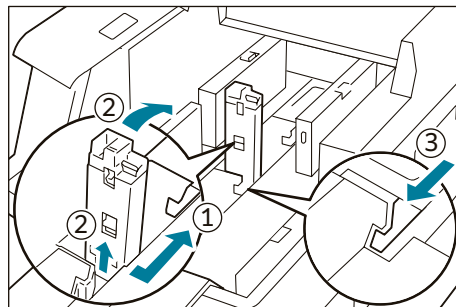
When not in use, hang the parts on the holder of the lower part.



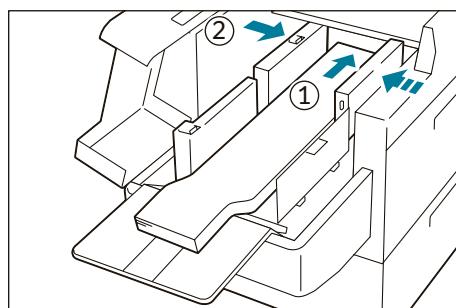
5. Turn the lever on the left of the long-side paper guide upward.
6. Remove any paper remaining in the Tray.



7. If the short-side paper guide is standing, store it.
 - (1) Open the shutter while pinching the lever.
 - (2) Lay the paper guide down while holding the release lever.
 - (3) Close the shutter while pinching the lever.



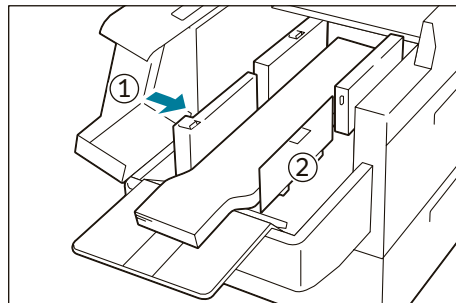
8. Load paper with the printed side facing up, and align the paper edges in the direction of the arrow (①).
9. Hold the right side long-side paper guide by its grip and move it to lightly contact the paper edges (②).



10. Hold the left side long-side paper guide by its grip and move it to lightly contact the paper edges (①).
11. Place the bottom edge paper guide to fit the loaded paper (②).

Note

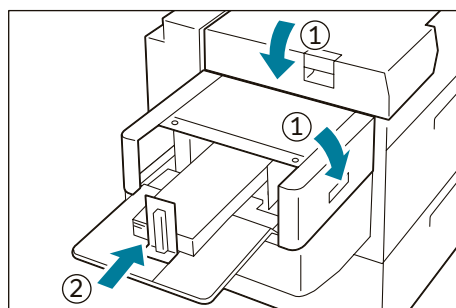
The bottom edge guide is removable. Install it in the direction such that the metal surface touches paper.



12. Close two covers (①) and wait until the bottom plate rises.
13. Place the rear edge paper guide to fit the loaded paper (②).

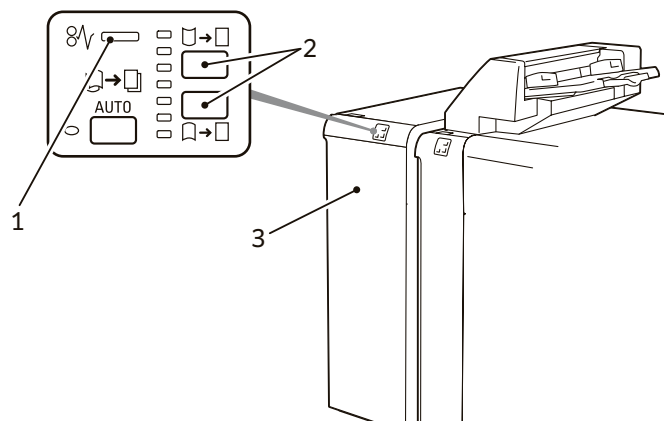
Note

The rear edge guide is removable. Install it in the direction such that the metal surface touches paper.



4 Interface Decurler Module D1

Device Components



No.	Component	Function
1	Error Indicator	When paper jam occurs, the indicator is turned on. When the indicator blinks, first of all perform the paper jam operation.
2	Curl correction button	Press the button to correct paper curl. This curl correction function can be used during printing.
3	Cover	Open this cover to clear paper jams.

Main Specifications

Item	Specification
Power supply	AC 100 to 120 V \pm 10%, 2.5 A, 50/60 Hz common AC 220 to 240 V \pm 10%, 1 A, 50/60 Hz common
Maximum power consumption	250 W
Dimensions (mm)	Width 340 x Depth 725 x Height 992
Weight (kg)	40

Curl Correction

The curl correction button is used to correct paper curl caused by heat and/or pressure. The curl correction button can be operated regardless of the machine state when the machine is ON.

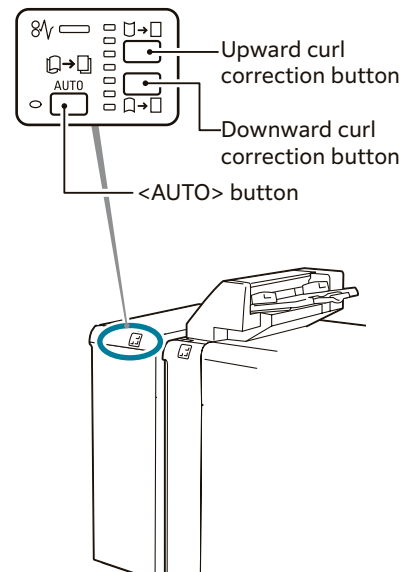
Note

- This curl correction function can be used during printing. Fine correction according to the paper properties can be made from control panel.
- Since staples are likely to be affected by curl, make sure to perform curl correction by checking the curl direction of output paper.
- When correction is performed while the machine is in operation, it is applied to the paper output immediately after the button is pressed.

1. Check the curl direction of paper.
2. Confirm that the curl correction indicator is lit, and then press the button.

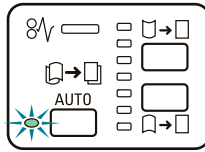
Note

- When paper is fed in the [AUTO] mode, the indicator showing the present direction and intensity of curl correction turns on only for a brief moment. When manually applying the curl correction, make adjustments while using this indicator lighting as a guide.
- After applying the curl correction by upward curl correction button or downward curl correction button, when feeding thick paper, embossed paper, or OHP film, the [AUTO] is entered automatically, and the curl correction is applied using standard correction value.
You can also change to a setting that the mode does not change to [AUTO] mode even when using these paper types. For details, contact your local representative.



Operations and Functions of Curl Correction

Press the AUTO button to enter the [AUTO] mode.



Indicator	Mode	Function
	AUTO	Curl correction is automatically performed. It is recommended to use this mode basically. Optimum curl correction is performed according to the paper size and output direction.
	OFF	Curl correction is not performed.
	Upward curl	Upward curl correction is performed when output paper is curled upward. Every time the upward curl correction button is pressed, the degree of correction is changed. The higher the indicator's position, the stronger the correction.
	Downward curl	Downward curl correction is performed when output paper is curled downward. Every time the downward curl correction button is pressed, the degree of correction is changed. The lower the indicator's position, the stronger the correction.

Paper Jams

Note

The error indicator at the top of the machine is turned on. When the indicator blinks, first of all perform the paper jam operation.

If paper is jammed, the machine stops and an alarm sounds. Follow the instructions displayed on the screen to remove the jammed paper.

Gently remove the paper being careful not to tear it. If paper is torn while it is being removed from the machine, remove all the torn pieces making sure that none remain inside the machine.

When you have finished clearing the paper jam, printing is resumed from the state before the paper jam occurred. If a paper jam occurred during copying, tap on [Start]. Copying is resumed from the state before the paper jam occurred.

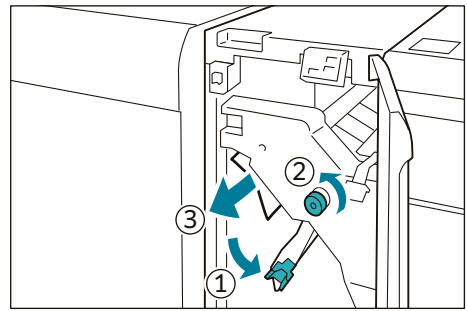
Note

Clear the paper jams while the machine is on.

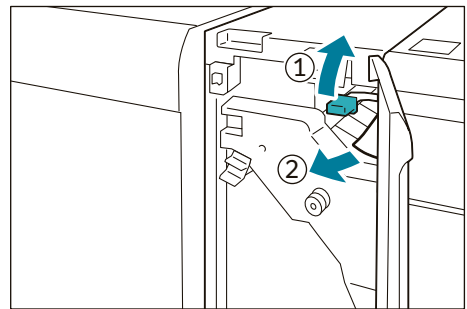
1. Open the Cover.
2. Open lever [1a] downward (①), turn knob [1b] counterclockwise (②), and remove the jammed paper (③).

Note

- Make sure to turn knob 10 times or more.
- When removing paper, make sure to remove it as pulling it out slowly.
- Jammed paper may be hidden at the upper section.

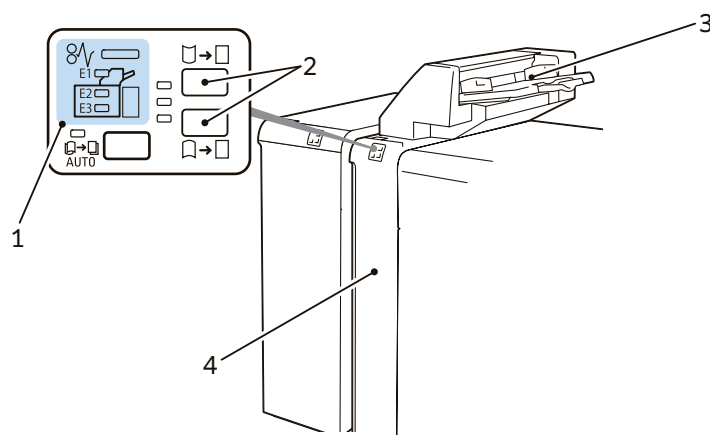


3. Return lever [1a].
4. If you have difficulty in removing the papers, open lever [1c] upward (①) and remove the jammed paper (②).
5. Return lever [1c].
6. Close the cover.



5 Inserter D1

Device Components





No.	Component	Function
1	Error Indicator	When paper jam occurs, the indicator is turned on. When the priority device indicator (top lamp) blinks, first of all perform the paper jam operation.
2	Curl correction button	Use this button when curl cannot be corrected even if the highest correction (or lowest correction) of Interface Decurler Module is performed. The correction method is the same as the Interface Decurler Module. The 3 correction levels are available: OFF, upward, and downward. <div style="border: 1px solid green; border-radius: 10px; padding: 2px; display: inline-block;"> ↶ Refer </div> "Curl Correction" (p.43)
3	Inserter Tray (Paper Tray T1)	Load paper to be used as an interleaf or cover.
4	Cover	Open this cover to clear paper jams.

Note

The Inserter can be only attached to the Interface Decurler Module.

Main Specifications

Item	Specification			
Paper size	Standard size	Max	A3, 11 x 17"	
		Min	A5 	
	Custom size (mm)	Width	Revoria Press SC180/SC170: 182 to 330 Revoria Press EC1100: 182 to 330.2	
		Length	148 to 488	
Paper weight (g/m ²)	52 to 350  Note If Saddle stitch / Single fold is used for the following papers, folding displacement and/or paper wrinkles occur. Use Bypass Tray for these papers. <ul style="list-style-type: none"> • Coated of which paper weight is 127 g/m² or less • Blank paper (not to be printed) of which paper weight is 80 g/m² or less 			
Tray capacity (sheets)	250 (82g/m ²)			
Power supply	Supplied from Interface Decurler Module			
Dimensions (mm)	Width 700 x Depth 725 x Height 1,235 (width of the paper feeding unit only is 165)			
Weight (kg)	45			

Loading Paper

Load paper (blank paper or printed paper) to be used as an interleaf or cover. Inserter Tray is used to load paper used as an interleaf or cover, and print cannot be performed.

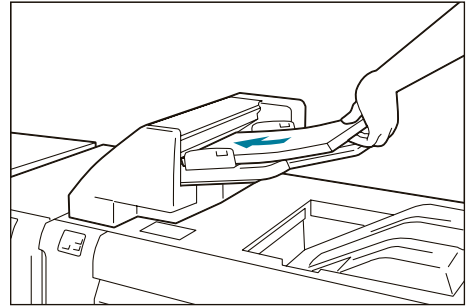
 **Note**

- After removing all the paper from the Tray, and then load the paper again together with the paper you want to add.
- Saddle stitch / Single fold is available only when the same paper size is used as with the body (paper output from the printer main unit).
- Load paper first before starting the job.

1. Fan the paper well and insert it along the paper guide all the way until it touches the back.

 **Important**

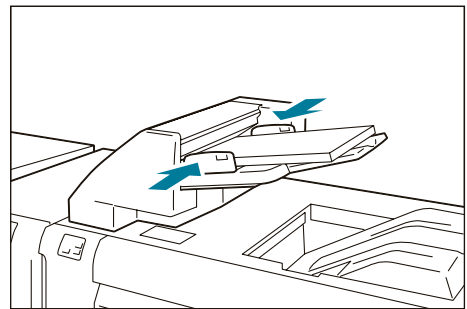
Do not load paper above the maximum fill line. It may cause paper jams or machine malfunction.



2. Adjust the paper guide to the size of loaded paper.

 **Note**

If the paper guide width is narrower or wider than the paper, it may cause paper jams.



Special Media Setting

■ **Hole Punched Paper**

Orientation: Place the holes of paper on the right side when you face the front side of machine.

■ **Precut Tab**

Orientation: Place the tabs of paper on the left side when you face the front side of machine.

Paper Jams

Note

The error indicator at the top of the machine is turned on. When the priority device indicator (top lamp) blinks, first of all perform the paper jam operation.

If paper is jammed, the machine stops and an alarm sounds. Follow the instructions displayed on the screen to remove the jammed paper.

Gently remove the paper being careful not to tear it. If paper is torn while it is being removed from the machine, remove all the torn pieces making sure that none remain inside the machine.

When you have finished clearing the paper jam, printing is resumed from the state before the paper jam occurred. If a paper jam occurred during copying, tap on [Start]. Copying is resumed from the state before the paper jam occurred.

Note

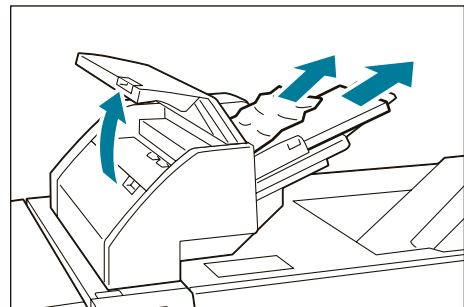
Clear the paper jams while the machine is on.

1. Remove the jammed paper.

When Indicator E1 is Turned on.....	p.49
When Indicator E2 is Turned on.....	p.49
When Indicator E3 is Turned on.....	p.50

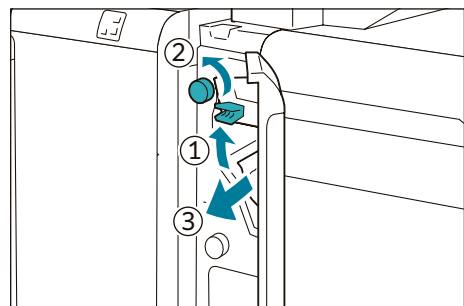
■ When Indicator E1 is Turned on

- (1) Open the Upper Cover and remove all the jammed papers and papers loaded on the tray.
- (2) Close the cover.
- (3) Align the 4 corners of the removed papers and load them again.



■ When Indicator E2 is Turned on

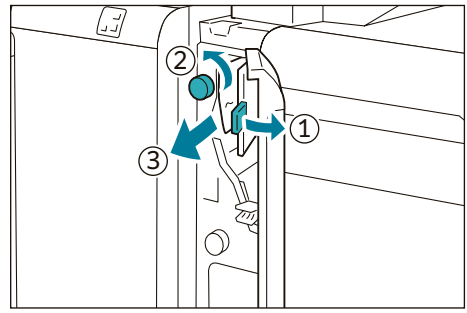
- (1) Open the Cover.
- (2) Open lever [1a] upward (①), turn knob [1b] counter-clockwise (②), and remove the jammed paper (③).
- (3) Return lever [1a].



- (4) If you have difficulty in removing the papers, open lever [1c] to the right (①), turn knob [1b] counterclockwise (②), and remove the jammed paper (③).

- (5) Return lever [1c].

- (6) Close the cover.



■ When Indicator E3 is Turned on

- (1) Open the Cover.

- (2) Open lever [1d] downward (①), turn knob [1e] counterclockwise (②), and remove the jammed paper (③).

Note

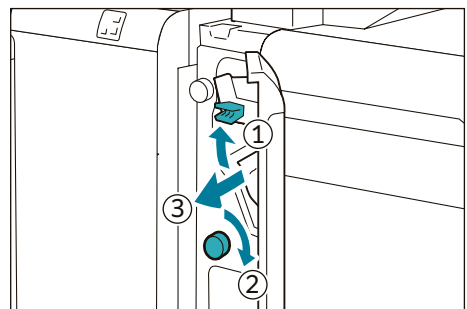
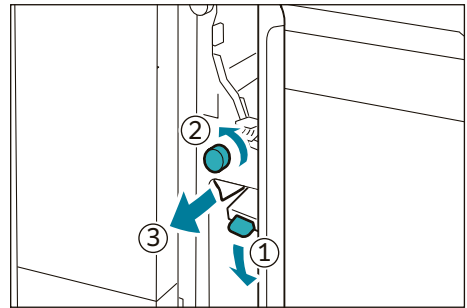
Jammed paper may be hidden at the upper section.

- (3) Return lever [1d].

- (4) If you have difficulty in removing the papers, open lever [1a] upward (①), turn knob [1e] clockwise (②), and remove the jammed paper (③).

- (5) Return lever [1a].

- (6) Close the cover.



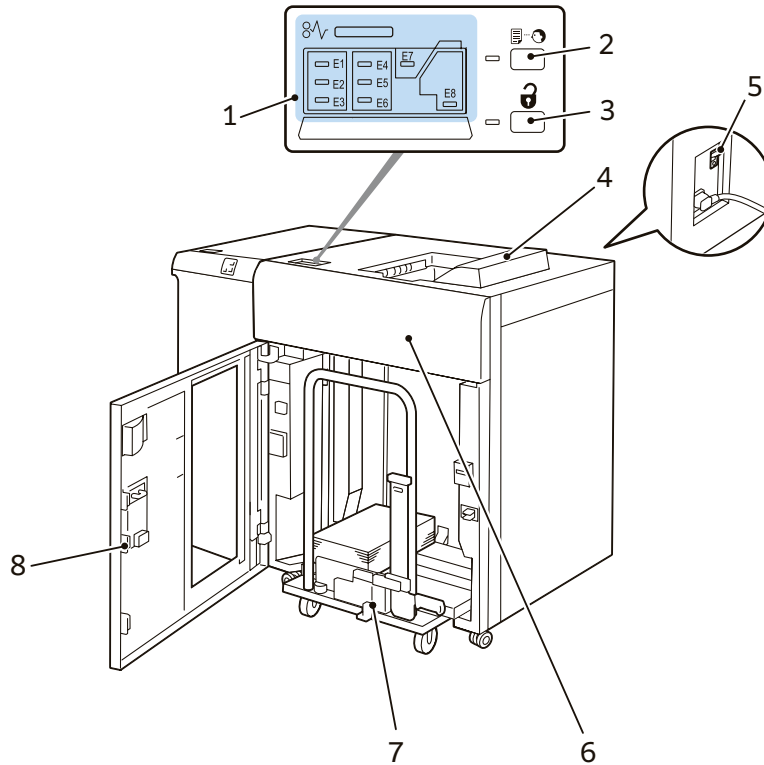
2. Check the curl direction of the jammed paper and correct the curl.

Refer

"Curl Correction" (p.43)

6 High Capacity Stacker A1

Device Components



No.	Component	Function
1	Error Indicator	When paper jam occurs, the indicator is turned on. When the priority device indicator (top lamp) blinks, first of all perform the paper jam operation.
2	Sample button	Press the button to output a sample to the Top Output Tray.
3	Paper eject button	Press the button to stop printing and take out outputs.
4	Top Output Tray	Outputs are delivered here. A sample is delivered here.
5	Ground Fault Interrupter (back side)	A switch to automatically switch the machine off when a current leakage is detected.
6	Front Upper Cover	Open this cover to clear paper jams.
7	Stacker Tray (Stacker cart)	When the paper eject button is pressed, paper is moved to the stacker cart and ejected.
8	Lower Front Cover	Open this cover to take out outputs.

Note

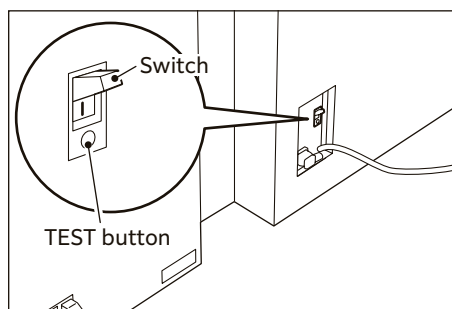
The High Capacity Stacker can be only attached to the Interface Decurler Module.
 The 2nd High Capacity Stacker can be installed on "Revoria Press EC1100" only.
 The installed first and second High Capacity Stackers are the same one.

Ground Fault Interrupter

When not using for an extended period or when moving the unit, set the switch to the lower position to turn the machine power off.

Note

Do not operate the switch under normal circumstances because it is turned off when a current leakage is detected. For the current leakage, refer to "User's Manual". Some devices do not have a ground-fault interrupter, depending on when they were manufactured. However, there is no problem with the power shutting off in case of current leakage.



Main Specifications

Item	Specification			
Tray capacity (sheets)	Top Output Tray	500 (80g/m ²)		
	Stacker Tray	5,000 (80g/m ²)		
Paper size	Top Output Tray	Standard size	Max	A3, 11 x 17"
			Min	A6
		Custom size (mm)	Width	Revoria Press SC180/SC170: 98 to 330 Revoria Press EC1100: 98 to 330.2
			Length	148 to 488 (when Banner Print Extension Kit is installed: 1,200)
	Stacker Tray	Standard size	Max	A3, 11 x 17"
			Min	JIS B5
Custom size (mm)		Width	Revoria Press SC180/SC170: 203 to 330 Revoria Press EC1100: 203 to 330.2	
		Length	182 to 488	
Paper weight (g/m ²)	Top Output Tray	Uncoated	52 to 400	
		Coated	64 to 400	
	Stacker Tray	Uncoated	52 to 300	
		Coated	64 to 300	
Power supply	AC 100 to 120 V ± 10%, 1.5 A, 50/60 Hz common AC 220 to 240 V ± 10%, 0.8 A, 50/60 Hz common			
Maximum power consumption	AC 100 V: 150 W / AC 240 V: 192 W			
Dimensions (mm)	Width 800 x Depth 725 x Height 1,042			
	<div style="border: 1px solid orange; border-radius: 10px; padding: 2px; display: inline-block;"> Note </div> <p>When Banner Print Kit is installed:</p> <ul style="list-style-type: none"> • Banner Print Extension Kit: Width +666 x Depth ±0 x Height +154 • Lightweight paper housing wires: Width +233 x Depth ±0 x Height +185 			
Weight (kg)	155 + 2 (Banner Print Extension Kit)			

Outputting Paper

Top Output Tray

Banner Print Extension Kit

Long paper can be loaded without its lead edge sticking out.

Paper size (mm)	Tray capacity (sheets)
Width: 210 to 330 Length: 488 to 1,200	Up to 864 mm: 100 Up to 1,200mm: 10

Important

When paper exceeding the tray capacity is loaded, the Extension Tray may get broken.

Note

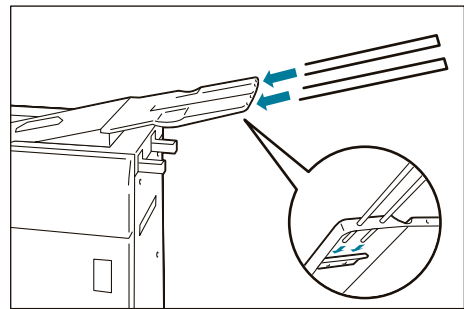
When the extension kit is installed, 250 sheets of paper of which length is 488 mm or less can be loaded.

Extension Tray

Insert 2 extension trays until they stop.

Note

Pass them through over the guide at the rear side of the tray until they stop.



Lightweight paper housing wire

When it is difficult to load thin paper, install the wire.

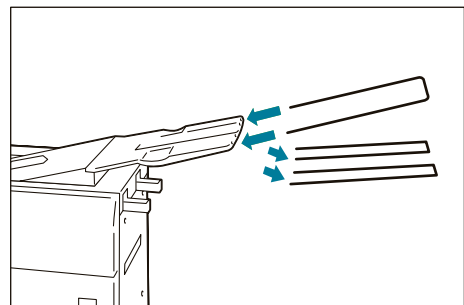
Note

- The tray capacity is 10 sheets.
- Paper of which width is 256 mm or less cannot be used.
- The supported paper weights are from 82 to 127 g/m².

(1) Remove the 2 Extension Trays and insert the wire mounting U-shaped bar until it stops.

Note

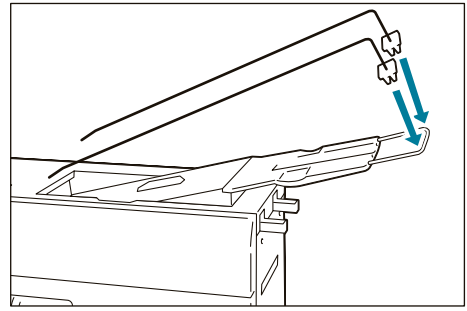
Pass them through over the guide at the rear side of the tray until they stop.



(2) Install the wires on the U-shaped bar.

Note

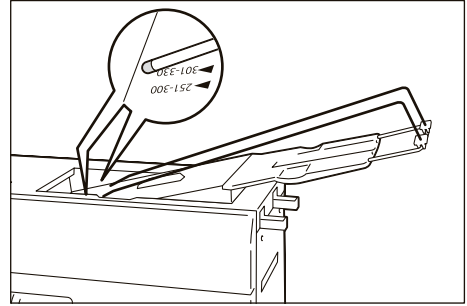
As holding the U-shaped bar with a hand, insert the fixing devices firmly, and check that the wires will not come off from the U-shaped bar.



(3) Adjust the wire positions according to the size of paper to be output.

Note

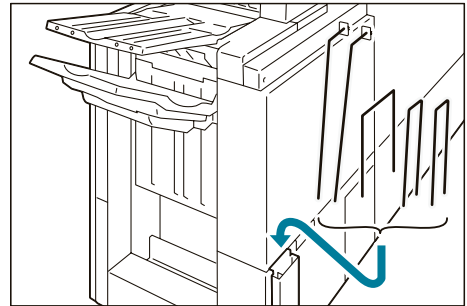
Install the wires in parallel.



▪ **When not using the kit**

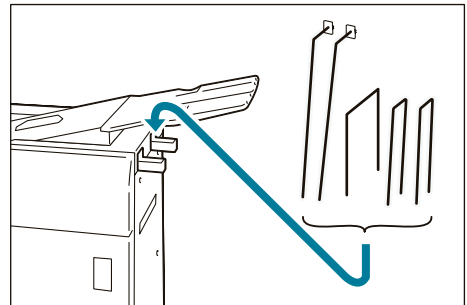
(When Finisher is installed)

Store the kit in the storage case at the rear side of Finisher.



(When Finisher is not installed)

Hang the kit on the holder at the side of the stacker.



Paper Jams

Note

The error indicator at the top of the machine is turned on. When the priority device indicator (top lamp) blinks, first of all perform the paper jam operation.

If paper is jammed, the machine stops and an alarm sounds. Follow the instructions displayed on the screen to remove the jammed paper.

Gently remove the paper being careful not to tear it. If paper is torn while it is being removed from the machine, remove all the torn pieces making sure that none remain inside the machine.

When you have finished clearing the paper jam, printing is resumed from the state before the paper jam occurred. If a paper jam occurred during copying, tap on [Start]. Copying is resumed from the state before the paper jam occurred.

Note

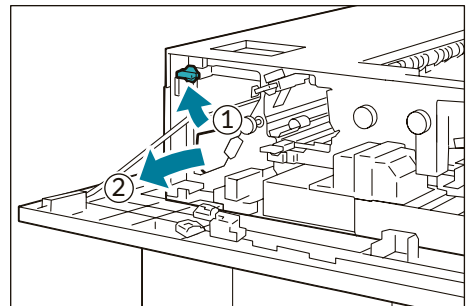
Clear the paper jams while the machine is on.

1. Remove the jammed paper.

When Indicator E1 is Turned on.....	p.55
When Indicator E2 is Turned on.....	p.55
When Indicator E3 is Turned on.....	p.56
When Indicator E4 is Turned on.....	p.56
When Indicator E5 is Turned on.....	p.56
When Indicator E6 is Turned on.....	p.57
When Indicator E7 is Turned on.....	p.57
When Indicator E8 is Turned on.....	p.58

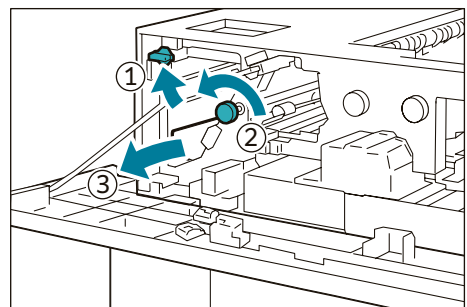
■ When Indicator E1 is Turned on

- (1) Open the front upper cover.
- (2) Open lever [1b] upward (①) and remove the jammed paper (②).
- (3) Return lever [1b].
- (4) Close the cover.



■ When Indicator E2 is Turned on

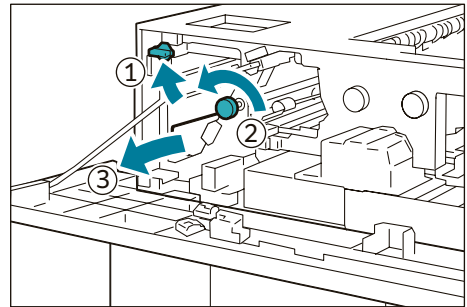
- (1) Open the front upper cover.
- (2) Open lever [1b] upward (①), turn knob [1a] counter-clockwise (②), and remove the jammed paper (③).
- (3) Return lever [1b].
- (4) Close the cover.



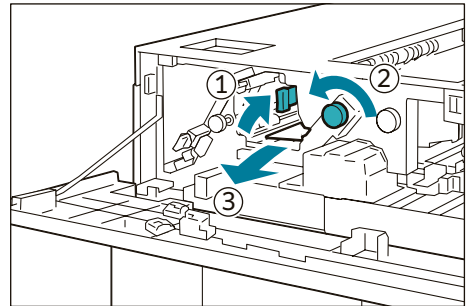
.....

■ When Indicator E3 is Turned on

- (1) Open the front upper cover.
- (2) Open lever [1b] upward (①), turn knob [1a] counter-clockwise (②), and remove the jammed paper (③).
- (3) Return lever [1b].



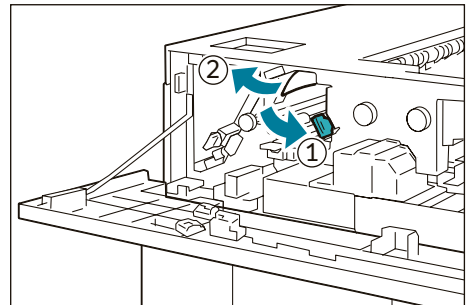
- (4) Open lever [2b] upward (①), turn knob [2c] counter-clockwise (②), and remove the jammed paper (③).
- (5) Return lever [2b].
- (6) Close the cover.



.....

■ When Indicator E4 is Turned on

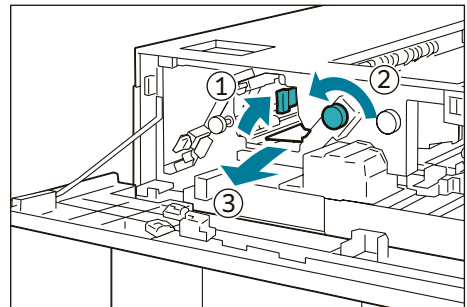
- (1) Open the front upper cover.
- (2) Open lever [2a] downward (①) and remove the jammed paper (②).
- (3) Return lever [2a].
- (4) Close the cover.



.....

■ When Indicator E5 is Turned on

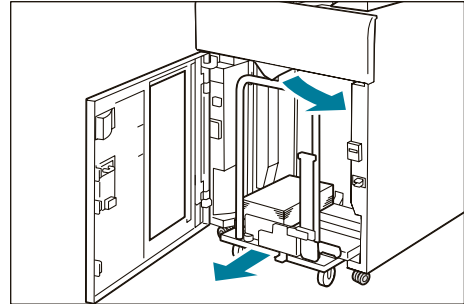
- (1) Open the front upper cover.
- (2) Open lever [2b] upward (①), turn knob [2c] counter-clockwise (②), and remove the jammed paper (③).
- (3) Return lever [2b].
- (4) Close the cover.



.....

■ When Indicator E6 is Turned on

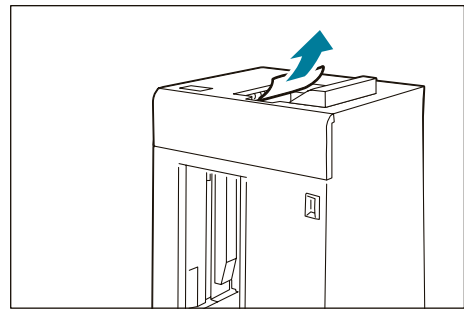
- (1) Press the paper eject button.
- (2) When lock is released, open the front lower cover.
- (3) Pull out the stacker cart slowly and remove the jammed paper.
- (4) Return the stacker cart slowly.
- (5) Close the cover.



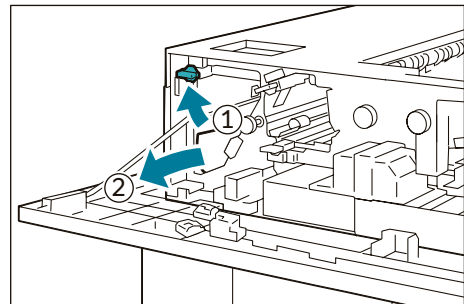
.....

■ When Indicator E7 is Turned on

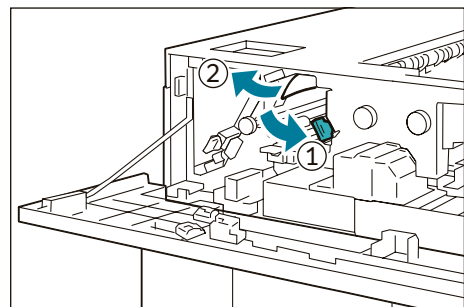
- (1) Remove the jammed paper that sticks out from the exit of the Top Output Tray.
- (2) Open the front upper cover.



- (3) Open lever [1b] upward (①) and remove the jammed paper (②).
- (4) Return lever [1b].



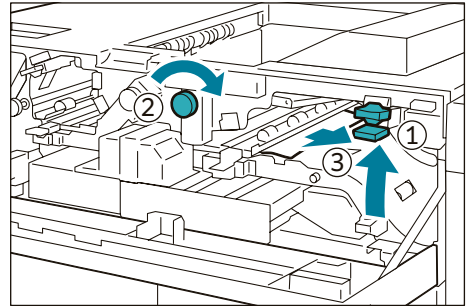
- (5) Open lever [2a] downward (①) and remove the jammed paper (②).
- (6) Return lever [2a].
- (7) Close the cover.



.....

■ When Indicator E8 is Turned on

- (1) Open the front upper cover.
- (2) Open lever [3b] upward (①), turn knob [3a] clockwise (②), and remove the jammed paper (③).
- (3) Return lever [3b].
- (4) Close the cover.



.....

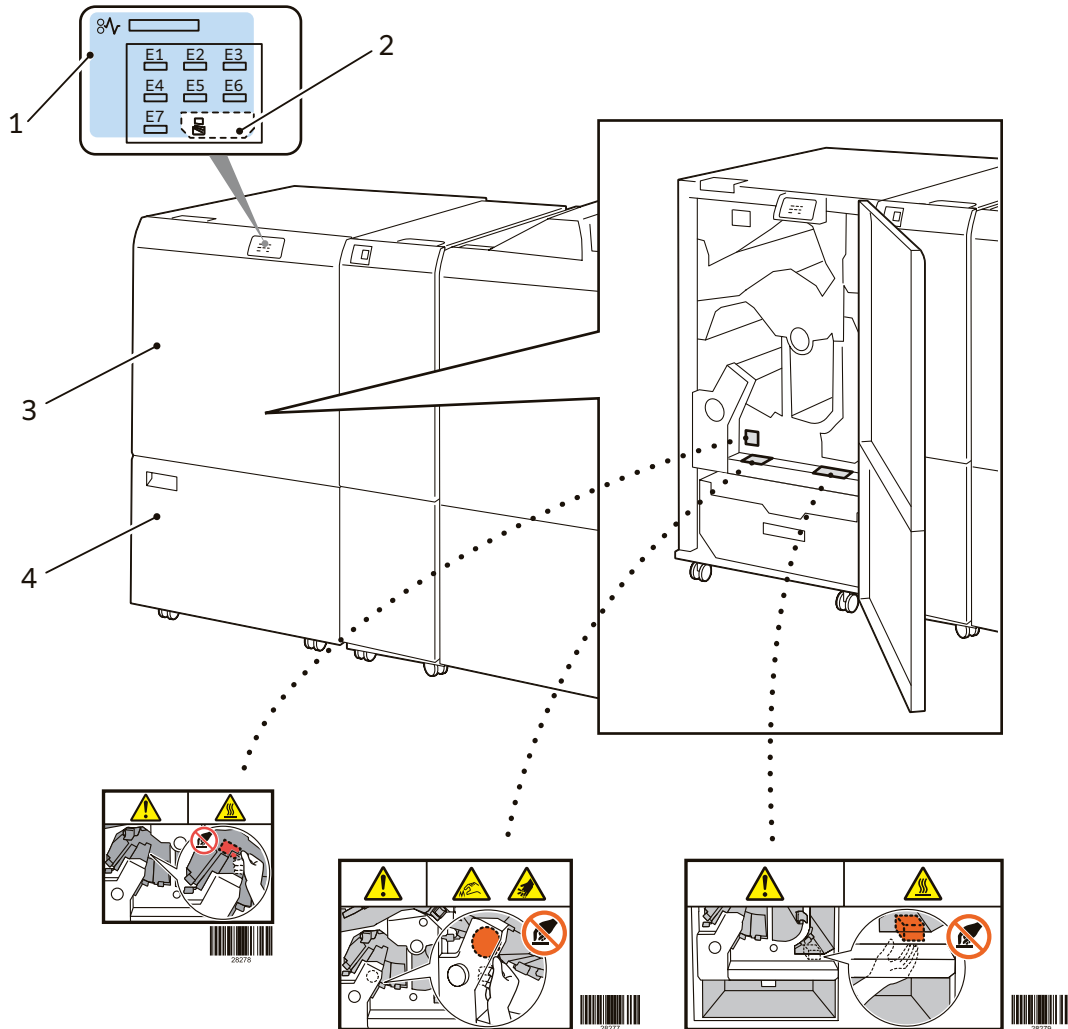
2. Check the curl direction of the jammed paper and correct the curl.

 Refer

“Curl Correction” (p.43)

7 Crease / Two-Sided Trimmer D2

Device Components / Caution Labels







No.	Component	Function
1	Error Indicator	When paper jam occurs, the indicator is turned on. When the priority device indicator (top lamp) blinks, first of all perform the paper jam operation.
2	Waste full indicator	When cut pieces need to be disposed, the indicator is turned on. When cut pieces become full, the indicator blinks.
3	Upper Cover	Open this cover to clear paper jams.
4	Lower Cover	Open this cover to dispose cut pieces.

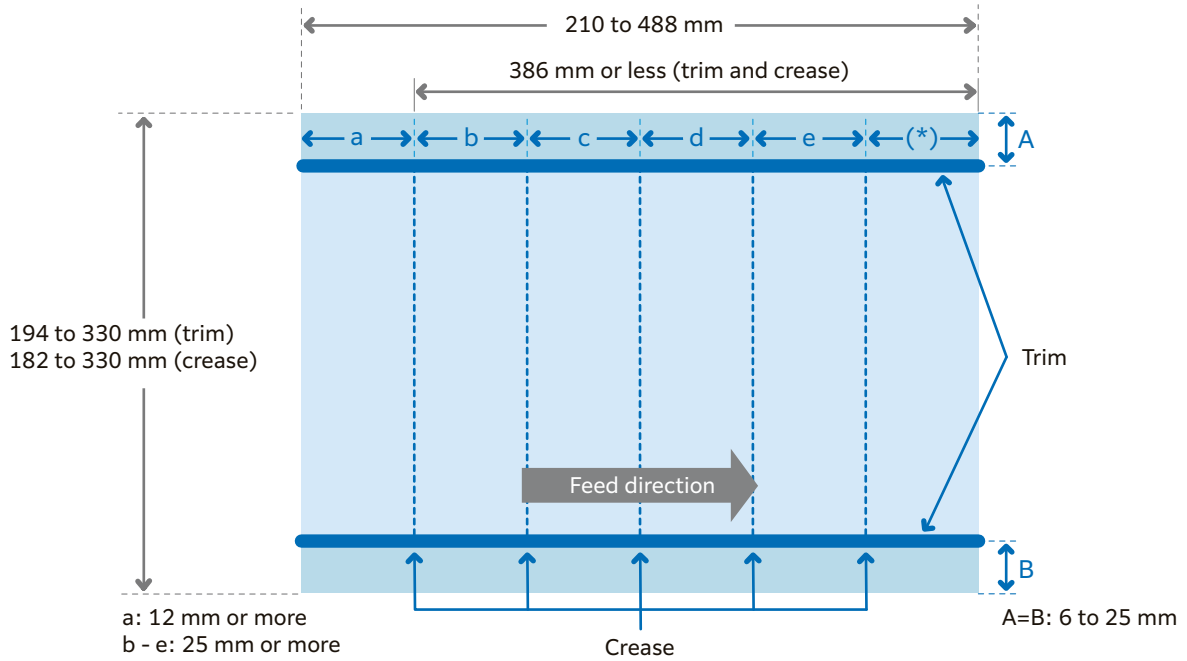
Note

The Crease/Two-sided Trimmer can be only attached to the Finisher D6, or Finisher D6 with Booklet Maker.

Main Specifications

Item	Specification				
Two-sided Trim	Paper size	Standard size	Max	A3, 11 x 17"	
			Min	A4, Letter (8.5 x 11")	
		Custom size (mm)	Width	Revoria Press SC180/SC170: 194 to 330 Revoria Press EC1100: 194 to 330.2	
			Length	210 to 488	
	Paper weight (g/m ²)	Uncoated		52 to 350	
Coated		64 to 350			
Cutting requirement (mm)	6 to 25				
	<div style="border: 1px solid orange; border-radius: 10px; padding: 2px; display: inline-block;"> Note</div> <ul style="list-style-type: none"> The minimum finish size is 182 mm. If cutting is 7 mm or less, the cutting face of paper may get scratched. If you leave paper after cutting it, it becomes larger by absorbing moisture. Since the degree of moisture absorption varies according to paper (paper type, paper weight, interleaf, cover, and body, etc.), the cutting face may be different when papers are put together even if the cutting size is same. 				
Crease	Paper size	Standard size	Max	A3, 11 x 17"	
			Min	JIS B5 	
		Custom size (mm)	Width	Revoria Press SC180/SC170: 182 to 330 Revoria Press EC1100: 182 to 330.2	
			Length	210 to 488	
	Paper weight (g/m ²)	Uncoated		60 to 350 (for Saddle stitch/center folding)	
		Coated		64 to 350	
	<div style="border: 1px solid orange; border-radius: 10px; padding: 2px; display: inline-block;"> Note</div> <ul style="list-style-type: none"> 157 g/m² or more except in the case of Saddle stitch / Single fold. Although the crease setting can be also applied to paper of which paper weight is 156 g/m² or less, the folding function (manual folding at the crease position) is not guaranteed. If paper wrinkles are generated on the crease in the case of Saddle stitch/Single fold, lower [Crease Pressure] on the control panel. 				
Number of creases	1 to 5				
	<div style="border: 1px solid orange; border-radius: 10px; padding: 2px; display: inline-block;"> Note</div> <p>When the length is less than 279 mm or 450 mm or more, up to 3 creases can be set.</p>				
Power supply	AC 100 to 120 V ± 10%, 4 A, 50/60 Hz common AC 220 to 240 V ± 10%, 2 A, 50/60 Hz common				
Maximum power consumption	AC 100 V: 400 W / AC 240 V: 480 W				
Dimensions (mm)	Width 605 x Depth 725 x Height 992				
Weight (kg)	128				

Cutting and Crease Area



Printing is not possible when less than 45 mm from the front edge. Also, the paper feeding capability is not guaranteed when 62 mm or less from the front edge.

When you do two-sided trim and crease simultaneously, you can make scoring marks within an area 386 mm in from the lead edge.

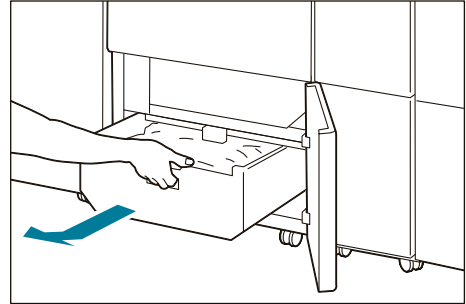
Waste Container

When cut pieces need to be disposed, the waste full indicator is turned on. When it is turned on, dispose cut pieces.

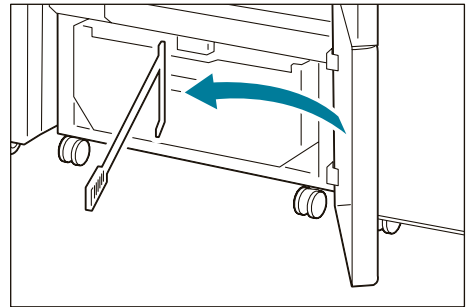
 **Note**

- Cut pieces can be disposed even during printing.
- When cut pieces in the waste container become full, the waste full indicator changes from ON to blinking.

- 1. Open the lower cover.**
- 2. Pull out the waste container.**
- 3. Dispose all cut pieces.**



Confirm that there are no cut pieces at the bottom of the frame at the rear of the waste container.



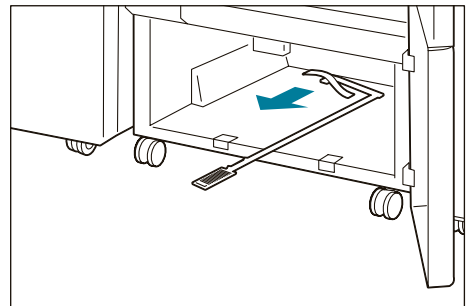
Remove cut pieces using a waste collecting bar, if any.

- 4. Insert the Waste Container into the original position.**

 **Note**

Push it until its arrow comes to the frame face.

- 5. Close the cover.**



Paper Jams

Note

The error indicator at the top of the machine is turned on. When the priority device indicator (top lamp) blinks, first of all perform the paper jam operation.

If paper is jammed, the machine stops and an alarm sounds. Follow the instructions displayed on the screen to remove the jammed paper.

Gently remove the paper being careful not to tear it. If paper is torn while it is being removed from the machine, remove all the torn pieces making sure that none remain inside the machine.

When you have finished clearing the paper jam, printing is resumed from the state before the paper jam occurred. If a paper jam occurred during copying, tap on [Start]. Copying is resumed from the state before the paper jam occurred.

Note

Clear the paper jams while the machine is on.

1. Open the upper cover.

2. Remove the jammed paper.

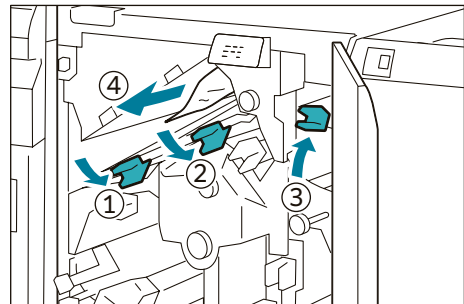
When Indicator E1 is Turned on.....	p.63
When Indicator E2 is Turned on.....	p.64
When Indicator E3 is Turned on.....	p.65
When Indicator E4 is Turned on.....	p.65
When Indicator E5 is Turned on.....	p.66
When Indicator E6 is Turned on.....	p.66
When Indicator E7 is Turned on.....	p.67

■ When Indicator E1 is Turned on

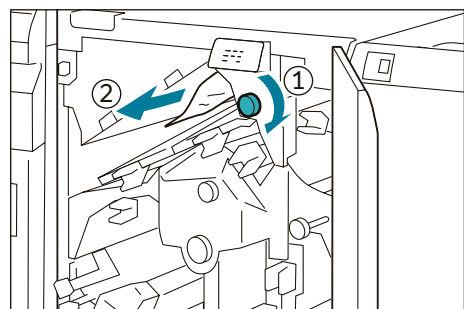
- (1) Open lever [1a] downward (①), open lever [1b] downward (②), open lever [1d] upward (③), and remove the jammed paper (④).

Note

Jammed paper may be hidden at the upper section.



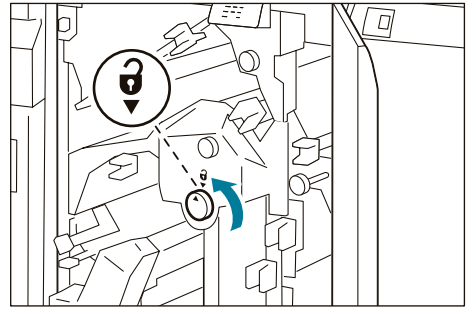
- (2) If you have difficulty in removing the papers, turn knob [1c] clockwise (①) and remove the jammed paper (②).
- (3) Return lever [1a], lever [1b], and lever [1d].



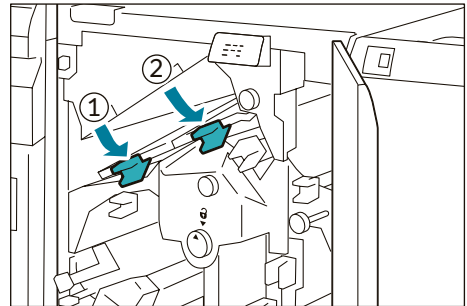
.....

■ When Indicator E2 is Turned on

(1) Turn knob [2] counterclockwise and align the marks.

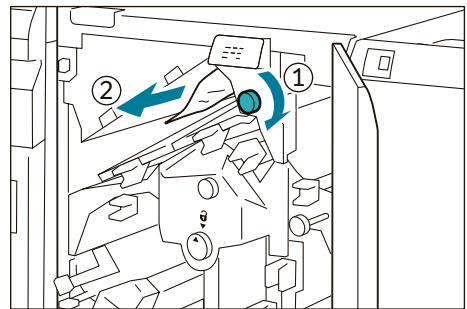


(2) Open lever [1a] downward (①) and open lever [1b] downward (②).

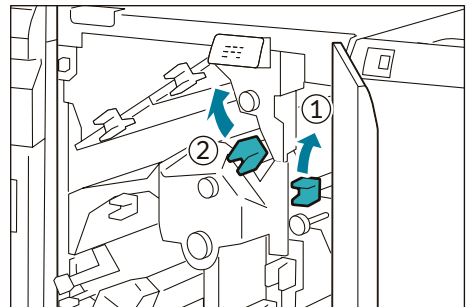


(3) Turn knob [1c] clockwise (①) and remove the jammed paper (②).

(4) Return lever [1a] and lever [1b].

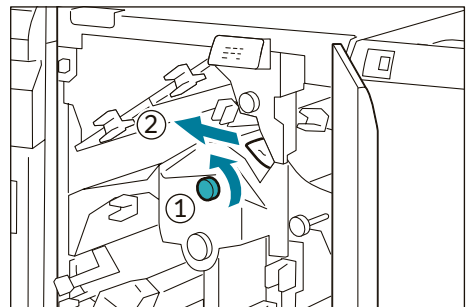


(5) If you have difficulty in removing the papers, open lever [1d] upward (①) and open lever [2a] to the left (②).



(6) Turn knob [2b] counterclockwise (①) and remove the jammed paper (②).

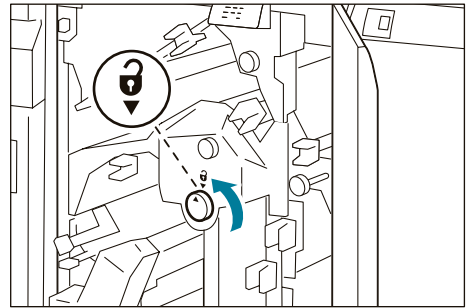
(7) Return lever [1d] and lever [2a].



.....

■ When Indicator E3 is Turned on

- (1) Turn knob [2] counterclockwise and align it with the mark position.

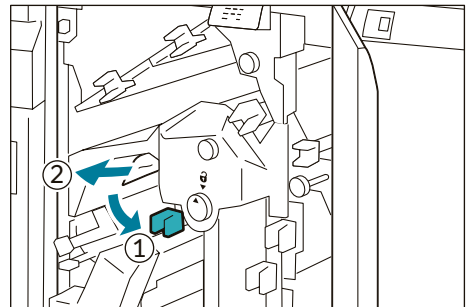


- (2) Open lever [2c] downward (①) and remove the jammed paper (②).

Note

Jammed paper may be hidden at the upper section.

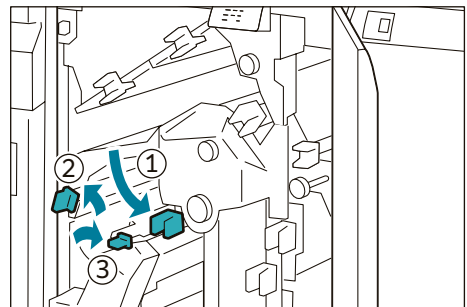
- (3) Return lever [2c].



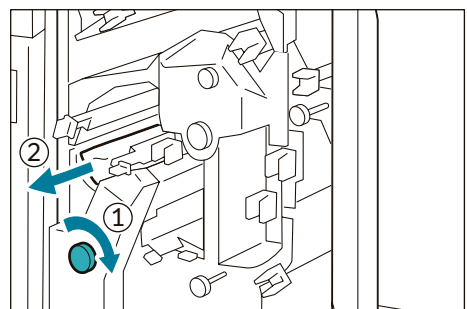
.....

■ When Indicator E4 is Turned on

- (1) Open lever [2c] downward (①), open lever [2d] upward (②), and open lever [2e] to the right (③).

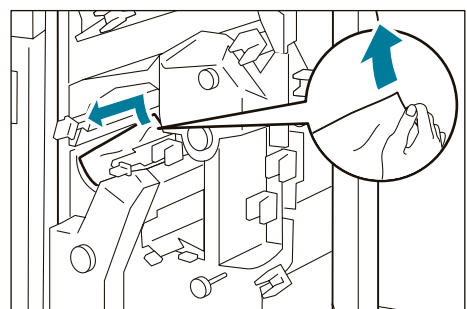


- (2) Hold the lead edge of paper, turn knob [2f] clockwise (①), and remove the jammed paper (②).



If you have difficulty in removing the papers, hold the trail edge of the paper and remove it.

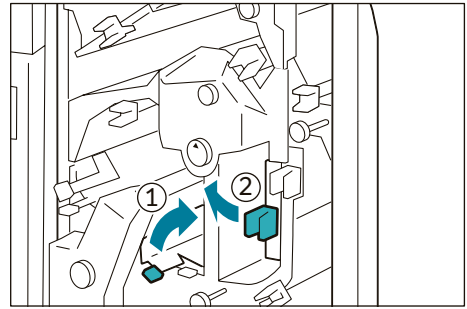
- (3) Return lever [2e], lever [2d], and lever [2c].



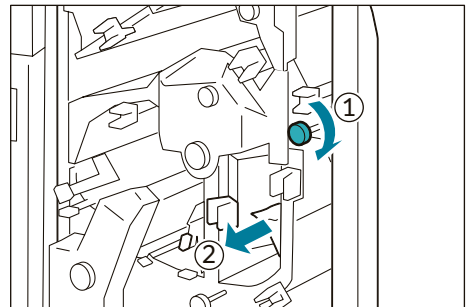
.....

■ When Indicator E5 is Turned on

(1) Open lever [3a] to the right (①) and open lever [3b] to the left (②).

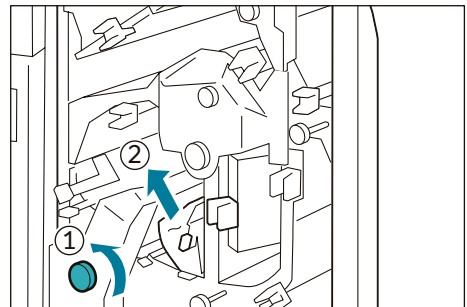


(2) Turn knob [3c] clockwise (①) and remove the jammed paper (②).



(3) Turn knob [2f] counterclockwise (①) and remove the jammed paper (②).

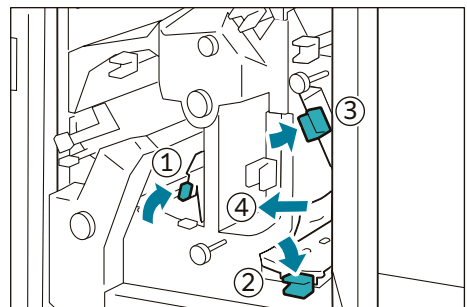
(4) Return lever [3a] and lever [3b].



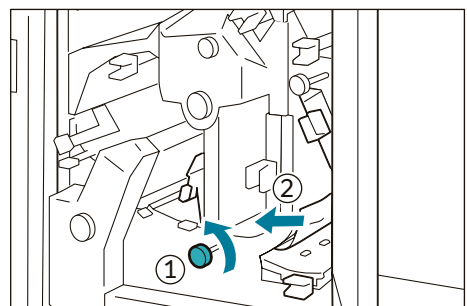
.....

■ When Indicator E6 is Turned on

(1) Open lever [3a] to the right (①), open lever [4b] downward (②), open lever [4c] to the right (③), and remove the jammed paper (④).



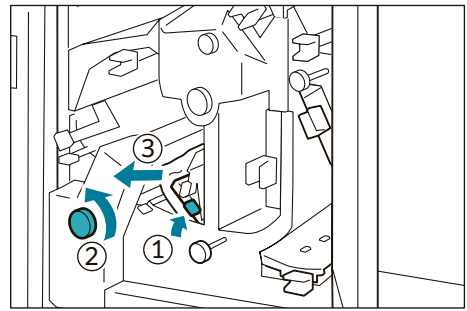
(2) Turn knob [4d] counterclockwise (①) and remove the jammed paper (②).



- (3) Open lever [4a] to the right (①), turn knob [2f] counter-clockwise (②), and remove the jammed paper (③).

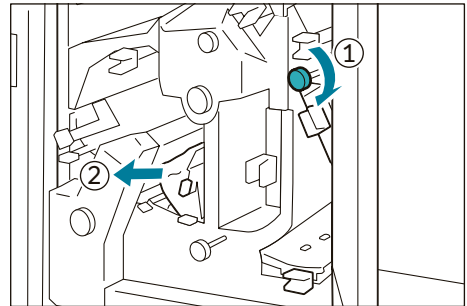
Note

As holding the lever [4a] with a hand, turn knob [2f] and remove the paper.



- (4) Turn knob [3c] clockwise (①) and remove the jammed paper (②).

- (5) Return lever [3a], lever [4b], and lever [4c].



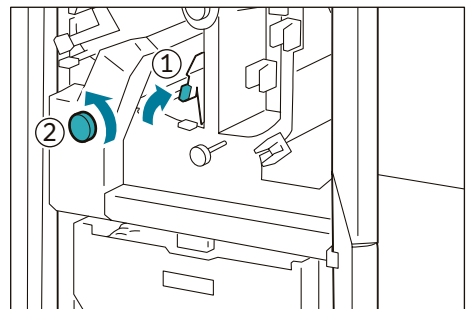
.....

■ When Indicator E7 is Turned on

- (1) Open lever [3a] to the right (①) and turn knob [2f] counterclockwise (②).

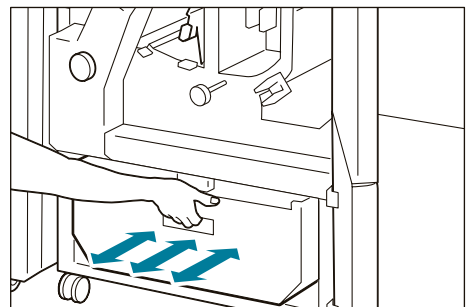
Note

Make sure to turn knob 5 times or more.



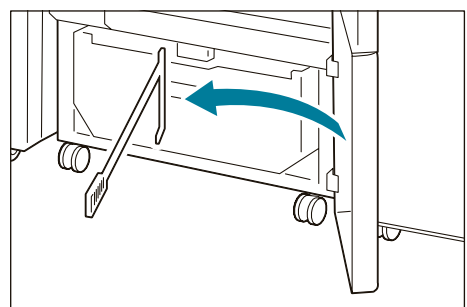
- (2) Pull out and insert the Waste Container 3 times.

- (3) Return lever [3a].

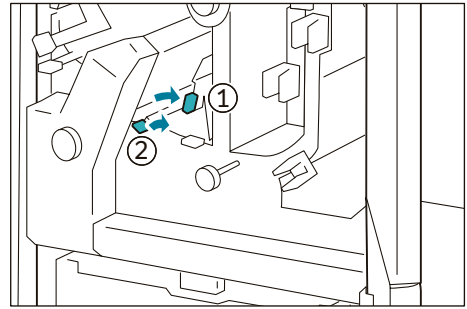


■ When the indicator is not turned off

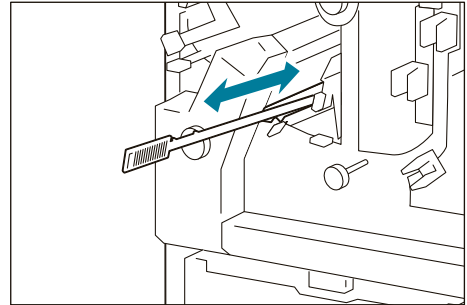
- (1) Remove the waste collecting bar in the cover.



- (2) Open lever [3a] to the right (①) and open lever [3d] to the right (②).



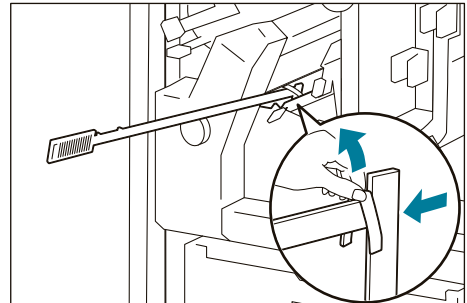
- (3) Collect cut pieces around the trimmer unit in the waste container using the waste collecting bar.



- (4) If cut pieces cannot be collected in the waste container, move them by the waste collecting bar and remove them with hands.

- (5) Return lever [3a] and lever [3d].

- (6) Confirm that there are no cut pieces at the bottom of the frame at the rear of the waste container. Remove cut pieces using a waste collecting bar, if any.



 Refer

"Waste Container" (p.62)

3. Close the cover.

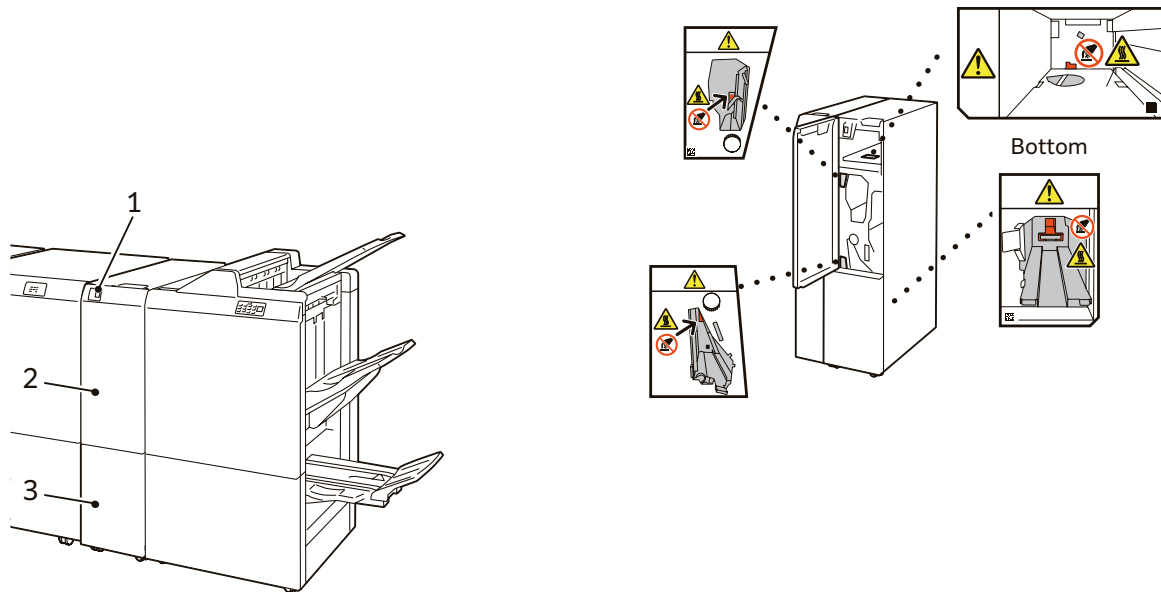
4. Check the curl direction of the jammed paper and correct the curl.

 Refer

"Curl Correction" (p.43)

8 Folder Unit CD2

Device Components / Caution Labels



No.	Component	Function
1	Tri-Fold Output Tray Button	Press the button to remove paper from the Tri-Fold Output Tray. The Tri-Fold Output Tray is opened when the lamp stops blinking and comes on and the lock is released.
2	Cover	Open this cover to clear paper jams.
3	Tri-Fold Output Tray	Paper is ejected only to this tray in case of inner C Fold/Z Fold sheets.

Note

The Folder Unit can be only attached to the Finisher D.

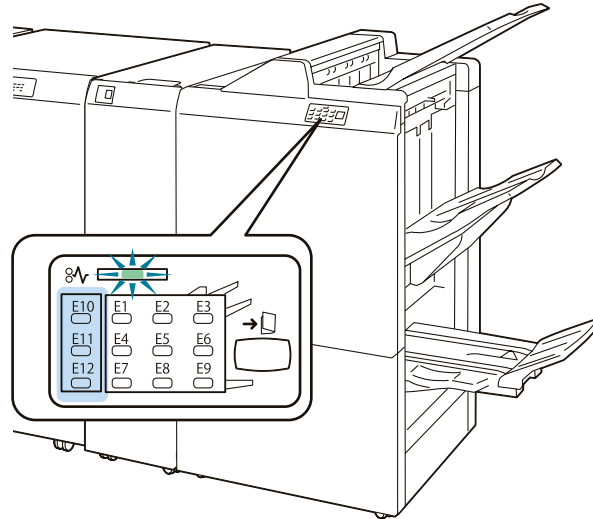
Main Specifications

Item	Specification	
Z-Fold Half Sheet	Paper size	A3, 11 x 17", JIS B4
	Paper weight (g/m ²)	60 to 90 (Uncoated)
Tri-fold (C Fold/Z Fold)	Paper size	A4, Letter (8.5 x 11")
	Paper weight (g/m ²)	60 to 90 (Uncoated)
Paper capacity (sheets)	30 (82g/m ²)	
Power supply	AC 100 to 127 V ± 10%, 1 A, 50/60 Hz common AC 220 to 240 V ± 10%, 0.5A, 50/60 Hz common	
Maximum power consumption	AC 100 V: 100 W / AC 240 V: 120 W	
Dimensions (mm)	Width 232 x Depth 725 x Height 992	
Weight (kg)	55	

Paper Jams

Note

The error indicator at the top of the Finisher is turned on. When the priority device indicator (top lamp) blinks, first of all perform the paper jam operation.



If paper is jammed, the machine stops and an alarm sounds. Follow the instructions displayed on the screen to remove the jammed paper.

Gently remove the paper being careful not to tear it. If paper is torn while it is being removed from the machine, remove all the torn pieces making sure that none remain inside the machine.

When you have finished clearing the paper jam, printing is resumed from the state before the paper jam occurred. If a paper jam occurred during copying, tap on [Start]. Copying is resumed from the state before the paper jam occurred.

Note

Clear the paper jams while the machine is on.

1. Open the Cover.

2. Remove the jammed paper.

When Indicator E10 is Turned on.....p.70

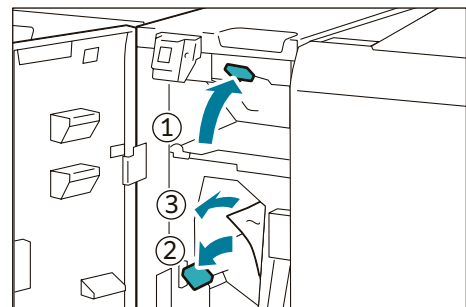
When Indicator E11 is Turned on.....p.71

When Indicator E12 is Turned on.....p.71

■ When Indicator E10 is Turned on

(1) Open lever [2a] upward (①), open lever [2b] to the left (②), and remove the jammed paper (③).

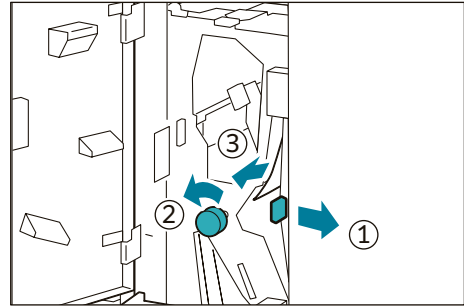
(2) Return lever [2a] and lever [2b].



.....

■ **When Indicator E11 is Turned on**

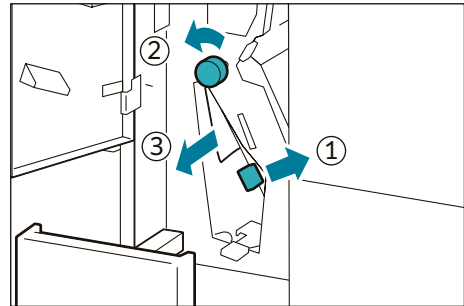
- (1) Open lever [2g] to the right (①), turn knob [2c] counter-clockwise (②), and remove the jammed paper (③).
- (2) Return lever [2g].



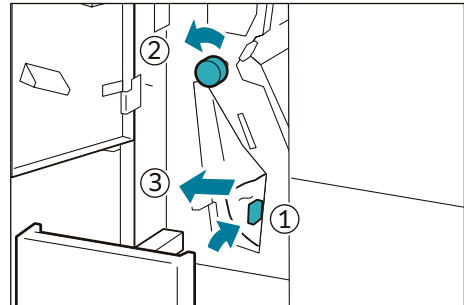
.....

■ **When Indicator E12 is Turned on**

- (1) Pull out the Tri-Fold Output Tray [2d].
- (2) Open lever [2e] to the right (①), turn knob [2c] counter-clockwise (②), and remove the jammed paper (③).
- (3) Return lever [2e].



- (4) If you have difficulty in removing the papers, open lever [2f] to the right (①), turn knob [2c] counterclockwise (②), and remove the jammed paper (③).
- (5) Return lever [2f].
- (6) Return the Tri-Fold Output Tray [2d] to the original position.



.....

3. Close the cover.

4. Check the curl direction of the jammed paper and correct the curl.

 Refer

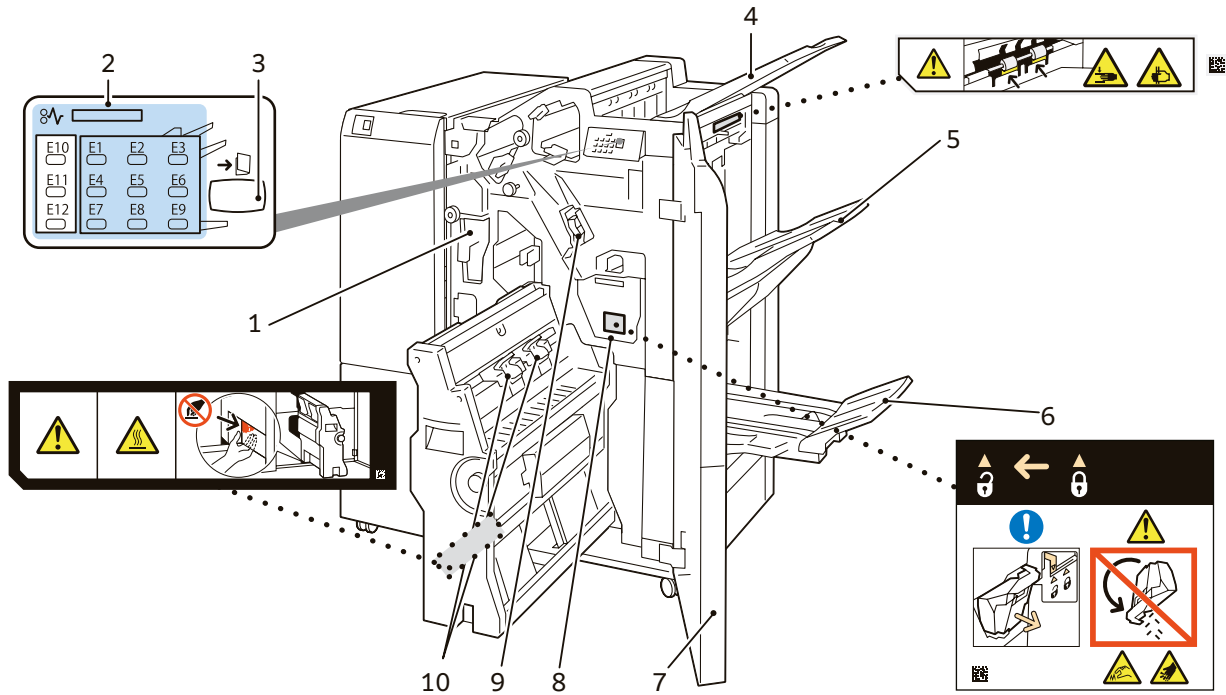
"Curl Correction" (p.43)

9 Finisher D


In this guide, "Finisher D6" and "Finisher D6 with Booklet Maker" are generally referred to as "Finisher D".

Device Components / Caution Labels


Finisher



No.	Component	Function
1	Hole Punch Waste Container	Punched pieces go in here. Refer For the discard method of waste in the waste container, refer to the label affixed on the machine.
2	Error Indicator	When paper jam occurs, the indicator is turned on. When the priority device indicator (top lamp) blinks, first of all perform the paper jam operation.
3	Booklet output button	When the button is pressed, paper output in the Booklet Tray is moved to the collecting position. Note When the Square Back Fold Trimmer is equipped, pressing of button moves to the Booklet Tray removal position of the Square Back Fold Trimmer.
4	Top Output Tray	Outputs are delivered here.
5	Finisher Tray	Side stitch paper is ejected. Note When the paper is output face down, it may slide off the stack. In this case, set the Interface Decurler Module's curl correction to the lowest level and the Inserter's curl correction to downward.

No.	Component	Function
6	Booklet Tray	Saddle stitch and Single fold paper is ejected. <div style="border: 1px solid orange; border-radius: 10px; padding: 2px; display: inline-block;">  Note </div> When the Square Back Fold Trimmer is equipped, it is installed to the Square Back Fold Trimmer.
7	Cover	Open this cover to clear paper jams, replace the Staple Cartridge, remove jammed staples or dispose of cut pieces for punched holes.
8	Staple Waste Container	Staple waste goes in here.
9	Staple Cartridge for side stitch	This unit is used to replace staples for side stitch.
10	Staple Cartridges for saddle stitch	This unit is used to replace staples for saddle stitch. There are two.

Main Specifications

Item	Specification				
Type	Top Output Tray	Sort / Stack			
	Finisher Tray	Sort (Offset available) / Stack (Offset available)			
	Booklet Tray	Sort / Stack			
Paper size	Top Output Tray	Standard size	Max	A3, 11 x 17"	
			Min	A6	
		Custom size (mm)	Width	Revoria Press SC180/SC170: 98 to 330 Revoria Press EC1100: 98 to 330.2	
			Length	148 to 488 (when Banner Print Extension Kit is installed: 1,200)	
		<div style="border: 1px solid orange; border-radius: 10px; padding: 2px; display: inline-block;">  Note </div> Storage of paper exceeding 330 x 488 mm is not guaranteed. When the optional extension kit for long paper is installed, 150 sheets of long paper up to 330 x 660 mm, 100 sheets of long paper up to 330 x 864 mm, and 10 sheets of long paper up to 330 x 1,200 mm can be loaded.			
		Finisher Tray	Standard size	Max	A3, 11 x 17"
	Min			A5	
	Custom size (mm)		Width	Revoria Press SC180/SC170: 148 to 330 Revoria Press EC1100: 148 to 330.2	
	Length	148 to 488			
	Booklet Tray	According to Saddle stitch / Single fold			
Paper weight (g/m ²)	Top Output Tray	Uncoated	52 to 400		
		Coated	64 to 400		
	Finisher Tray	Uncoated	52 to 350		
		Coated	64 to 350		
	Booklet Tray	According to Saddle stitch / Single fold			

Item	Specification			
Paper capacity	Top Output Tray (sheets)	500 (82g/m ²)		
	Finisher Tray (No staple) (sheets)	A4	3,000 (82g/m ²) (2,000 (82g/m ²) sheets with Booklet Maker)	
		JIS B4 or greater	1,500 (82g/m ²)	
		Mixed Size Stacking	350 (82g/m ²)	
	Finisher Tray (With staples)	A4	200 copies or 3,000 (82g/m ²) sheets (2,000 (82g/m ²) sheets with Booklet Maker)	
		JIS B4 or greater	100 copies or 1,500 (82g/m ²) sheets	
Booklet Tray	20 copies (16 sheets or less)			
<div style="border: 1px solid orange; border-radius: 10px; padding: 2px; display: inline-block; margin-bottom: 5px;"> Note</div> <ul style="list-style-type: none"> Mixed Size Stacking refers to a condition in which larger paper is stacked on top of smaller paper, such as A4 on top of JIS B5 or JIS B4 on top of A4. The Booklet Tray capacity is a maximum of 16 copies for 17 to 20 sheet stitches, a maximum of 12 copies for 21 to 25 sheet stitches, and a maximum of 10 copies for 26 to 30 sheet stitches. 				
Staple	Maximum number of sheets of paper (sheets)	100 (90g/m ² or less)		
		<div style="border: 1px solid orange; border-radius: 10px; padding: 2px; display: inline-block; margin-bottom: 5px;"> Note</div> <p>65 sheets for larger sized than A4 and Letter (8.5 x 11").</p>		
	Paper size	Standard size	Max	A3, 11 x 17"
			Min	Revoria Press SC180/SC170: A5 Revoria Press EC1100: JIS B5
		Custom size (mm)	Width	182 to 297
			Length	Revoria Press SC180/SC170: 148 to 432 Revoria Press EC1100: 182 to 432
Paper weight (g/m ²)	Uncoated	52 to 350		
	Coated	72 to 350		
Stapled location	1 location, 2 locations, 4 locations			
	<div style="border: 1px solid orange; border-radius: 10px; padding: 2px; display: inline-block; margin-bottom: 5px;"> Note</div> <p>The stapled location that can be processed differs for each Paper Size.</p>			
Hole Punch (with Punch Unit)	Paper size	Standard size	Max	A3, 11 x 17"
			Min	JIS B5 (2 holes or 3 holes), A4 (4 holes)
		Custom size (mm)	Width	203 to 297
			Length	Revoria Press SC180/SC170: 182 to 431 Revoria Press EC1100: 182 to 431.8
	Paper weight (g/m ²)	Uncoated	52 to 220	
		Coated	64 to 220	
Number of punched holes	2 holes / 4 holes or 2 holes / 3 holes (US Specifications)			
	<div style="border: 1px solid orange; border-radius: 10px; padding: 2px; display: inline-block; margin-bottom: 5px;"> Note</div> <p>The number of punched holes that can be processed differs for each Paper Size.</p>			

Item	Specification			
Saddle stitch / Single fold	Maximum number of sheets of paper (sheets)	Saddle stitch		30 (90g/m ² or less)
		Single fold		5 (220g/m ² or less)
	Paper size	Standard size	Max	A3, 11 x 17"
			Min	JIS B5
		Custom size (mm)	Width	Revoria Press SC180/SC170: 182 to 330 Revoria Press EC1100: 182 to 330.2
	Length		257 to 488	
Paper weight (g/m ²)	Uncoated		60 to 350	
	Coated		64 to 350	
Power supply	Finisher	AC 100 to 127 V ± 10%, 3 A, 50/60 Hz common AC 220 to 240 V ± 10%, 1.5 A, 50/60 Hz common		
Maximum power consumption	AC 100 V: 300 W / AC 240 V: 360 W			
Dimensions (mm)	Finisher		Width 855 x Depth 725 x Height 1,204	
	Finisher with Booklet Maker		Width 892 x Depth 725 x Height 1,204	
<div style="border: 1px solid orange; border-radius: 10px; padding: 2px; display: inline-block;"> Note</div> <p>When Banner Print Kit is installed:</p> <ul style="list-style-type: none"> • top output tray's angle (B) + Banner Print Extension Kit: Width +281 x Depth ±0 x Height +222 • top output tray's angle (A) + Banner Print Extension Kit + Lightweight paper housing wires: Width +387 x Depth ±0 x Height +71 				
Weight (kg)	Finisher		87 + 6 (Punch Unit) + 2 (Banner Print Extension Kit)	
	Finisher with Booklet Maker		107 + 6 (Punch Unit) + 2 (Banner Print Extension Kit)	

Number of Sheets That can be Stapled (Approximation)

Paper weight (g/m ²)	Side Stitch				Saddle stitch	
	When A4 size or less		When exceeding A4 size		Uncoated	Coated
	Uncoated	Coated	Uncoated	Coated		
52 to 59	100	35*	65	35*	30*	25*
60 to 71					30	
72 to 80						
81 to 90						
91 to 105	50	30*	50	30*	20	20*
106 to 128		30	45	30	15	
129 to 150	20	20	20	20	10	
151 to 176						
177 to 220					5	
221 to 256					4	
257 to 300	10	10	10	10	3	
301 to 350						

*: Although staple is available, the stitch accuracy and paper feeding capability are not guaranteed.

The following are the types of papers for which our company has verified the number of sheets that can be stapled together, as described in the table above.

- J (82 g/m²), C (70 g/m²), Ncolor081 (81 g/m²), Ncolor127 (127 g/m²), JD (98 g/m²)

Important

- Even with the types of papers that our company recommends, stapling failure may occur depending on the type of paper (especially fabric papers), the environment where the device is installed (temperature, humidity, etc.), and the data content, even when the number of sheets is within the stapling capacity.
- If different types and weights of papers are mixed, stapling failure may occur even if the number of sheets is within the stapling capacity.
- Stapling over 40 sheets in a low-temperature and low-humidity environment could cause paper jams.

Note

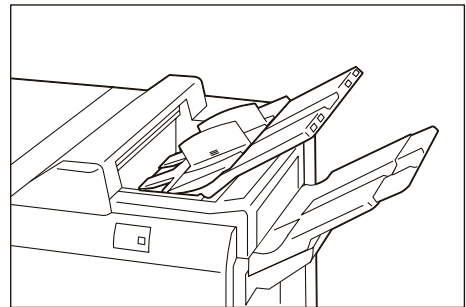
- Paper type and weight are determined from the paper information set for the job, not by the actual paper loaded in the paper tray.
- Because the number of sheets depends on the job, if a multi-feed occurs, it will still staple even if the number of sheets goes beyond the allowable number of sheets that can be stapled. However, stapling may fail.

Outputting Paper

Top Output Tray

Loading Guide

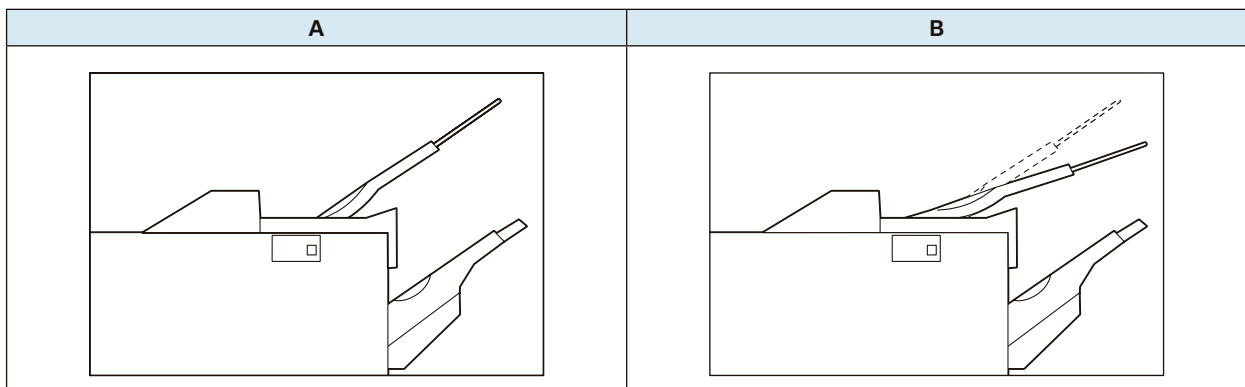
Place it on the Top Output Tray when using an envelope.



Changing Angle

Change the angle when output paper remains at the exit and paper full is detected immediately. Especially in the following case, paper full is likely to be detected, change the angle to the B position.

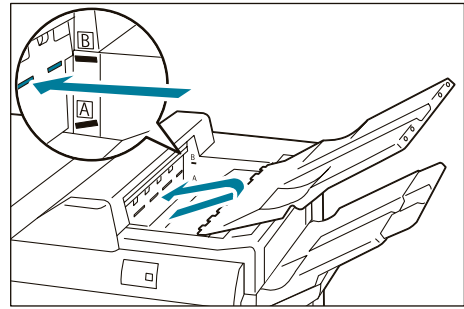
- Thin coated paper
- Coated paper with the length of 364 mm or more
- Long paper



Pull the Top Output Tray to the right, remove it from the lower fixed position (A), and insert the claws at the front edge of the tray to the upper fixed position (B).

Note

- Normally set the tray at the lower fixed position. If the tray is at the upper fixed position of the exit, paper may fall from the Top Output Tray and a paper jam may occur when paper is output to the Finisher tray.
- If paper is curled, the effectiveness of angle change cannot be obtained.



■ Banner Print Extension Kit

Long paper can be loaded without its lead edge sticking out.

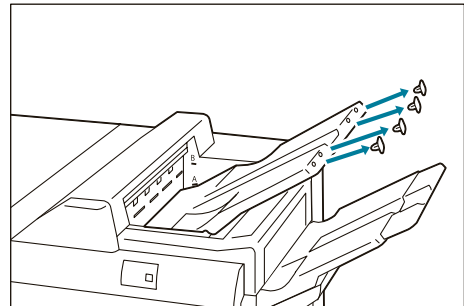
Paper size (mm)	Tray capacity (sheets)
Width: 210 to 330 Length: 488 to 1,200	Up to 660 mm: 150 Up to 864 mm: 100 Up to 1,200mm: 10

Important

When paper exceeding the tray capacity is loaded, the Extension Tray may get broken.

■ Extension Tray

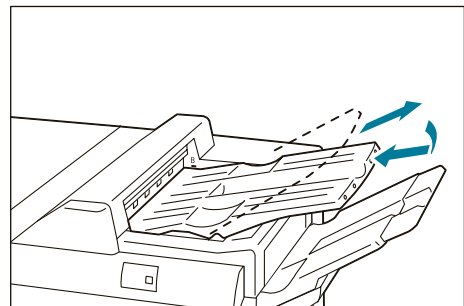
- (1) Push the Top Output Tray from the rear side as pinching the cap and remove the 4 caps at the front edge of the Top Output Tray.



- (2) Change the angle of the Top Output Tray to the upper fixed position (B).

Note

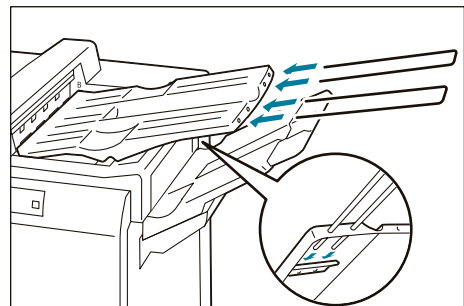
Change the angle to the lower fixed position (A) for paper with the width of 256 mm or less.



- (3) Insert 2 extension trays until they stop.

Note

Pass them through over the guide at the rear side of the tray until they stop.



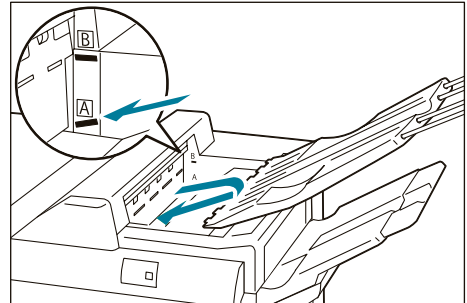
▪ Lightweight paper housing wire

When it is difficult to load thin paper, install the wire.

Note

- The tray capacity is 10 sheets.
- Paper of which width is 256 mm or less cannot be used.
- The supported paper weights are from 82 to 209 g/m².

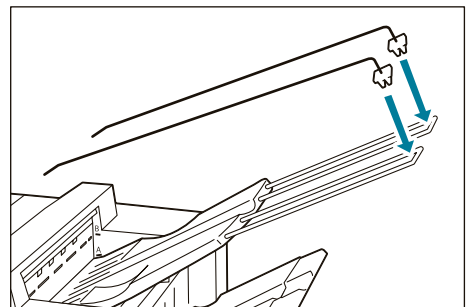
- (1) Change the angle of the Top Output Tray to the lower fixed position (A).



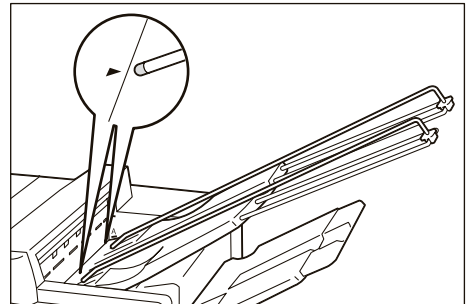
- (2) Install the wires on the extension trays.

Note

As holding the extension tray with a hand, insert the fixing devices firmly, and check that the wires will not come off from the extension tray.

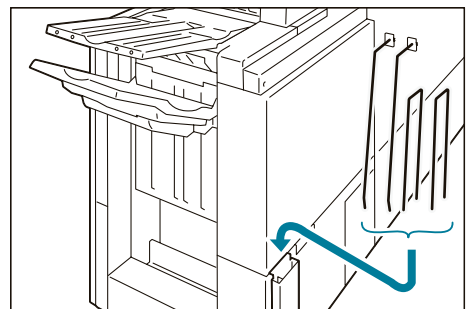


- (3) Adjust the wire positions as aligning the wires with the "▲" marks.



▪ When not using the kit

Store the kit in the storage case at the rear side of Finisher.



Paper Curl

- If A5 is curled upward, a paper jam may occur.
In this case, set the Interface Decurler Module's curl correction to the highest level and the Inserter's curl correction to upward.
- If the paper is curled downward, it might jam.
In this case, set the Interface Decurler Module's curl correction to the lowest level and the Inserter's curl correction to downward.
- If paper of 157 g/m² or more is curled upward, a paper jam may occur.
In this case, set the Interface Decurler Module's curl correction to the highest level and the Inserter's curl correction to upward.

Refer

"Curl Correction" (p.43)

Staple Cartridge

Replacing Staple Cartridge / Staple Waste Container

Consumables recommended by our company are manufactured under the standards suitable for this machine. Using consumables not recommended by our company may affect print quality or performance provided by the product. Use consumables that our company recommends for this machine.

To place orders for consumables, take a note of the part number and contact your local representative.

When the end of life for a consumable is reached, a message appears on the control panel. Replace the consumable indicated in the message.

For the replacement method, refer to the steps provided on the box of the consumable (or label). For the instructions on how to replace the staple cartridge for saddle stitch, see this manual as well.

Important

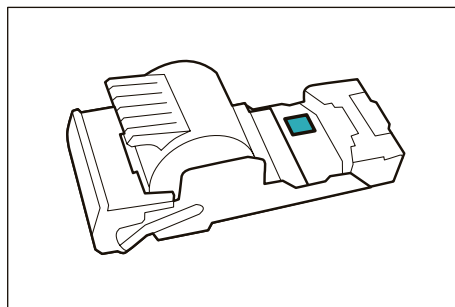
Proper disposal is required for consumables no longer needed. Do not open consumables. Return them to your local representative.

Note

When replacing consumable, keep the machine power switched on.

Staple Cartridge for Side Stitch

Use up the staples before replacing. You can check the existence of the staples in the residual quantity window.

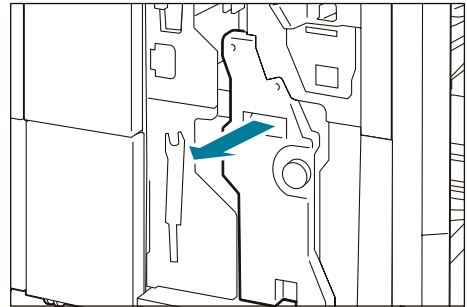


■ Staple Cartridge for Saddle Stitch

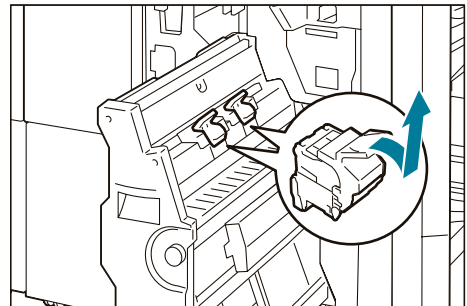
▪ Staples type XE (2PCS)

1. Confirm that the machine is not operating, and open the Cover.

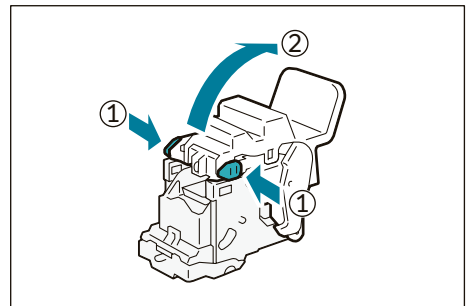
2. Pull out Booklet Maker [3].



3. Hold the handle of the Staple Cartridge (R2) (R3) and pull it out.



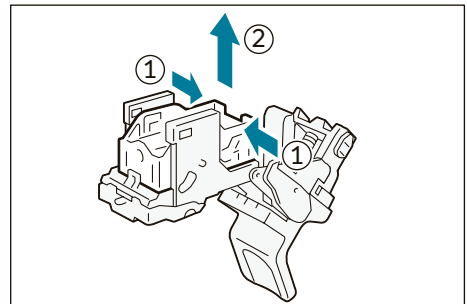
4. Push the orange buttons on either sides of the cartridge (①) and open the cover (②).



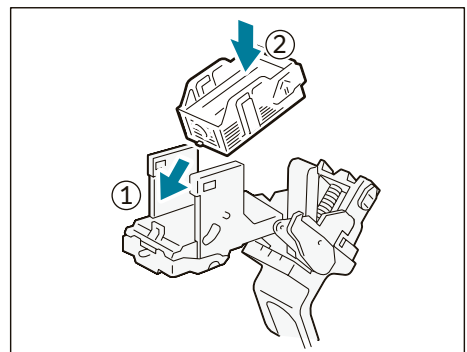
5. Pinch both sides of the empty staple case (①) and remove it from the cartridge (②).

⚠ Important

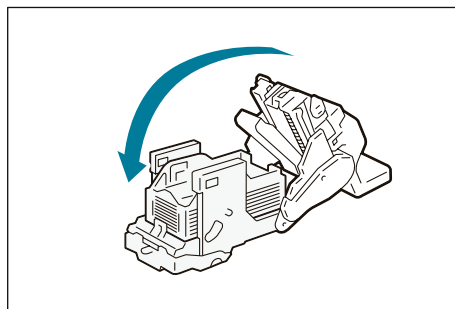
If there are still staples in the staple case, you cannot remove the staple case. Forcefully removing the staple case may cause malfunction.



6. Insert a new staple case (①) and push the back side to set in place (②).



7. Close the cartridge cover.

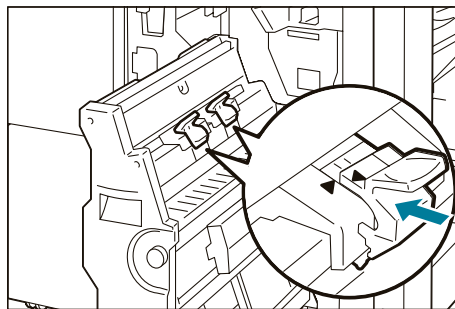


8. Insert the cartridge into the original position.

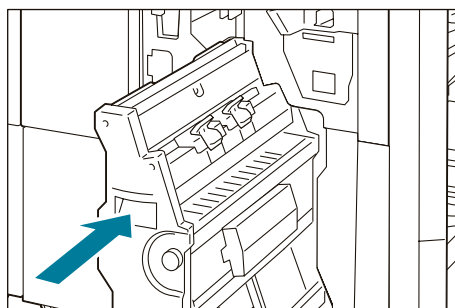
Hold the lever and lightly press it up until you hear a click.

 **Note**

Align the ▲ marks.



9. Slowly insert Booklet Maker [3] all the way.

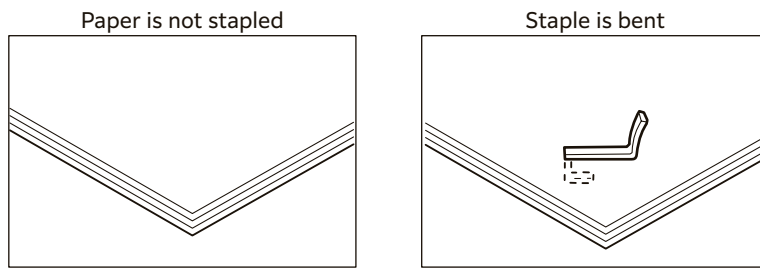


10. Close the cover.

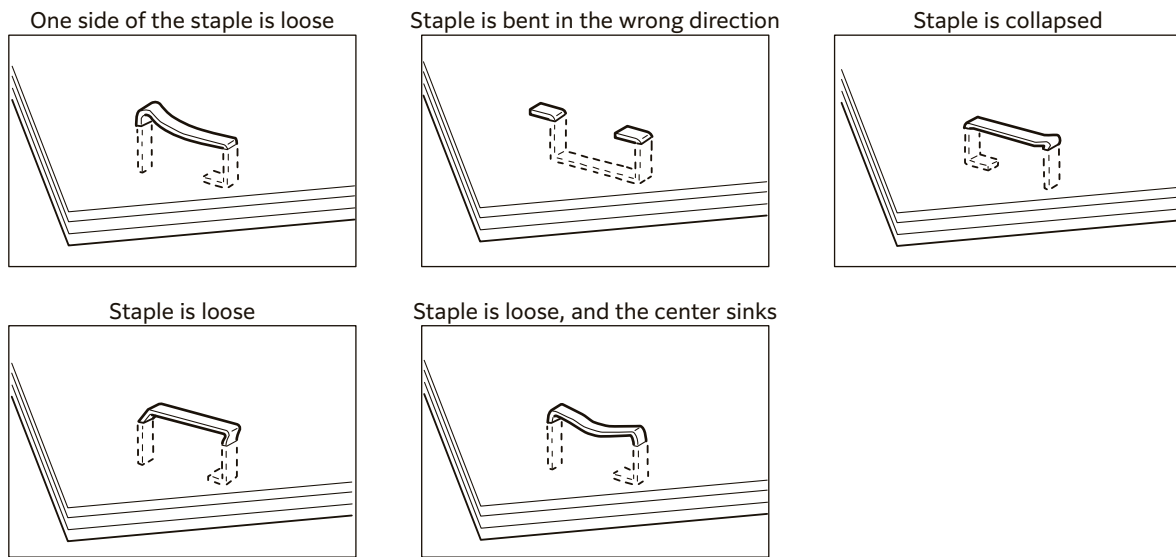
Staple Jams

If paper is not being stapled or if staples are bent, follow the procedures mentioned in the following pages.

If the issue isn't resolved even after the procedure, contact your local representative.



If the staple looks like any of the following images, contact your local representative.



Caution

Please be very careful not to hurt your fingers, etc. when removing the jammed staple.

Note

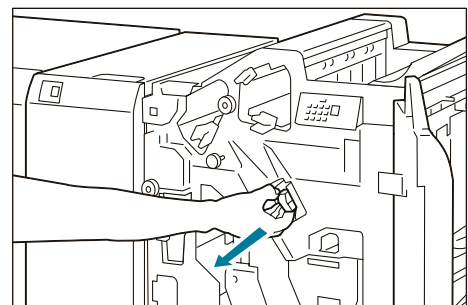
- Depending on the usage condition, such as the paper type, staples may be bent or bent staples may be caught inside of the unit, causing paper jamming.
- If you open the Staple Cartridge cover, be sure to remove all bent staples. Not removing bent staples may cause staple jamming. Only open the Staple Cartridge cover when you are removing the jammed staples.

Staple Cartridge for Side Stitch

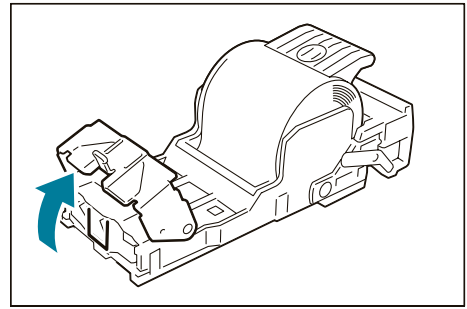
1. Confirm that the machine is not operating, and open the Cover.
2. Pull out [R1].

Note

After removing the Staple Cartridge, check to make sure that there is no staple inside of the Finisher.

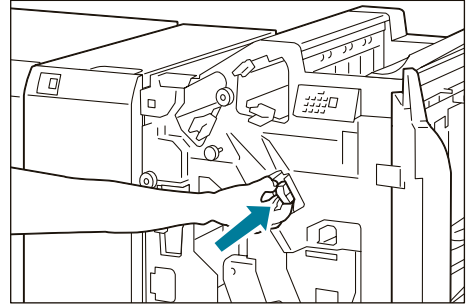


3. Open the cover of the unit and remove the jammed staples.



4. Insert the unit into the original position.

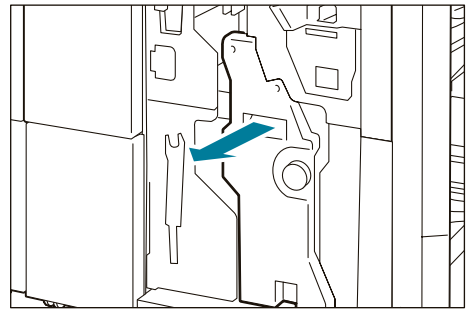
5. Close the cover.



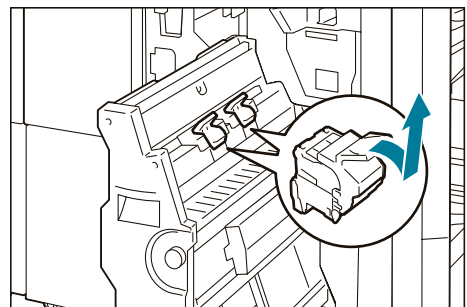
Staple Cartridges for Saddle Stitch

1. Confirm that the machine is not operating, and open the Cover.

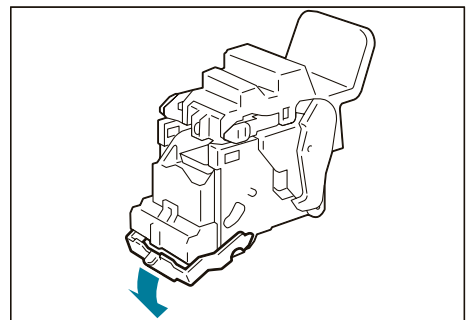
2. Pull out Booklet Maker [3].



3. Hold the handle of the Staple Cartridge (R2) (R3) and pull it out.



4. Remove the jammed staples.



5. Insert the Staple Cartridge into the original position.

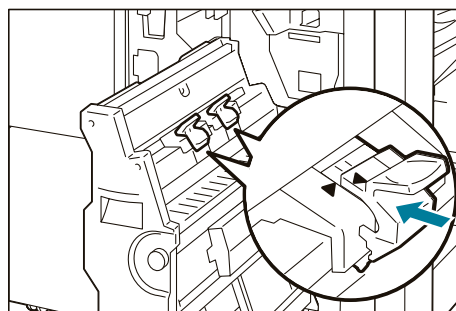
Hold the handle and lightly press it up until you hear a click.



Align the “▲” marks.

6. Push in the Booklet Maker [3].

7. Close the cover.



When Staple Cartridge for Side Stitch Comes off

If the Staple Cartridge comes off from the unit due to fall during operation, etc., perform the following steps.

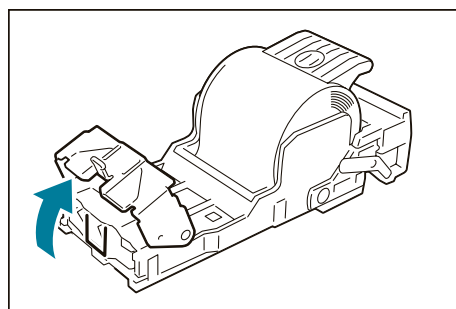
Caution

Please be very careful not to hurt your fingers, etc. when removing the deformed staples.

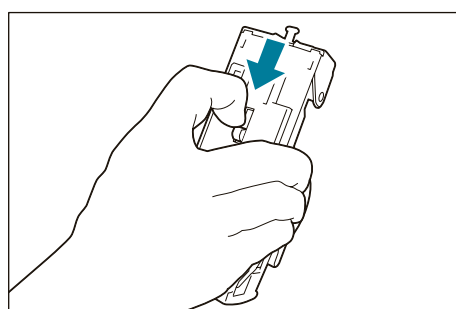


Perform the same steps as well when the Staple Cartridge is separated from the unit.

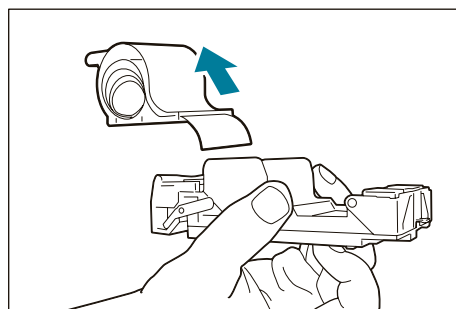
1. Open the cover of the unit and remove all the deformed staples.



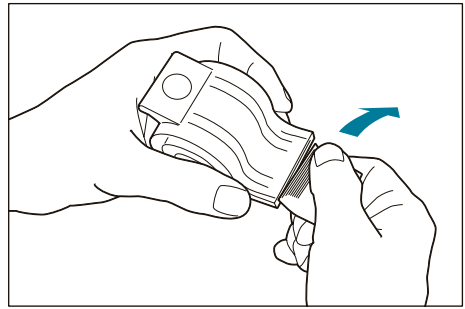
2. Move the handle on the rear side of the unit in the arrow direction.



3. Turn it over as the handle is at the moved position and take out the Staple Cartridge from the unit.



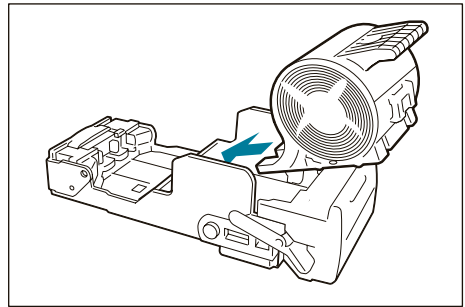
4. Remove the staples that stick out from the Staple Cartridge.



 **Caution**

Please be very careful not to hurt your fingers, etc. when separating staples.

5. Insert the Staple Cartridge into the unit.



Paper Jams

Note

The error indicator at the top of the machine is turned on. When the priority device indicator (top lamp) blinks, first of all perform the paper jam operation.

If paper is jammed, the machine stops and an alarm sounds. Follow the instructions displayed on the screen to remove the jammed paper.

Gently remove the paper being careful not to tear it. If paper is torn while it is being removed from the machine, remove all the torn pieces making sure that none remain inside the machine.

When you have finished clearing the paper jam, printing is resumed from the state before the paper jam occurred. If a paper jam occurred during copying, tap on [Start]. Copying is resumed from the state before the paper jam occurred.

Note

Clear the paper jams while the machine is on.

Finisher

1. Open the Cover.

2. Remove the jammed paper.

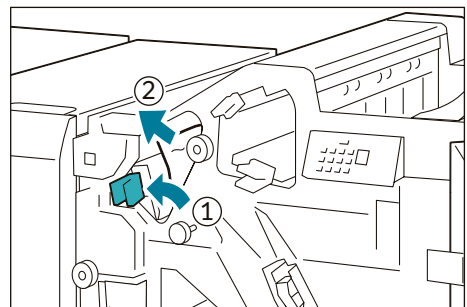
When Indicator E1 is Turned on.....	p.86
When Indicator E2 is Turned on.....	p.87
When Indicator E3 is Turned on.....	p.87
When Indicator E4 is Turned on.....	p.87
When Indicator E5 is Turned on.....	p.87
When Indicator E6 is Turned on.....	p.88

■ When Indicator E1 is Turned on

- (1) Open lever [1a] to the left (①) and remove the jammed paper (②).

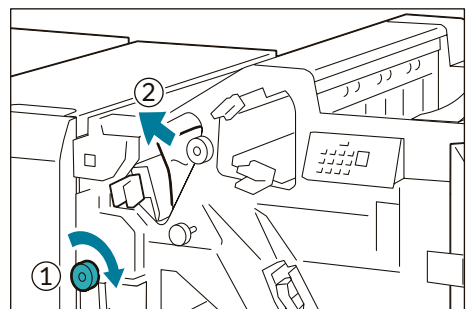
Note

Hold the lead edge of the paper and remove it.



- (2) If you have difficulty in removing the papers, turn knob [1b] clockwise (①) and remove the jammed paper (②).

- (3) Return lever [1a].



.....

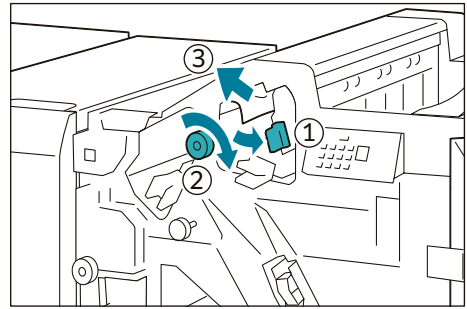
■ When Indicator E2 is Turned on

- (1) Open lever [1c] to the right (①), turn knob [1e] clockwise (②), and remove the jammed paper (③).

 **Note**

Jammed paper may be hidden at the upper section.

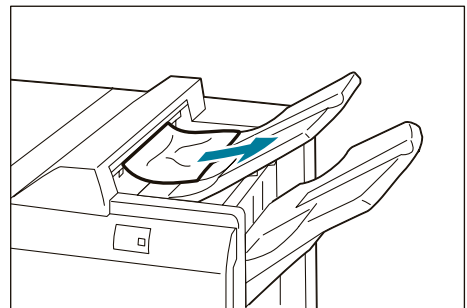
- (2) Return lever [1c].



.....

■ When Indicator E3 is Turned on

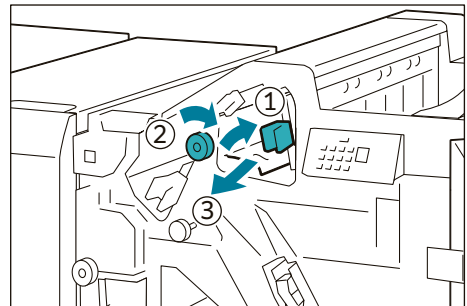
- (1) Remove the jammed paper that sticks out from the exit of the Top Output Tray.
- (2) Open and close the cover.



.....

■ When Indicator E4 is Turned on

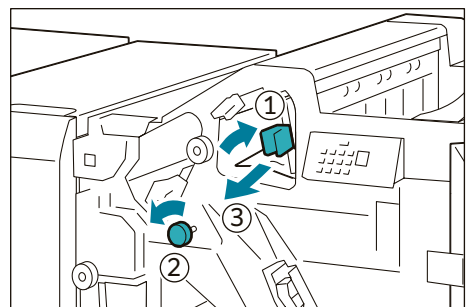
- (1) Open lever [1d] to the right (①), turn knob [1e] clockwise (②), and remove the jammed paper (③).
- (2) Return lever [1d].



.....

■ When Indicator E5 is Turned on

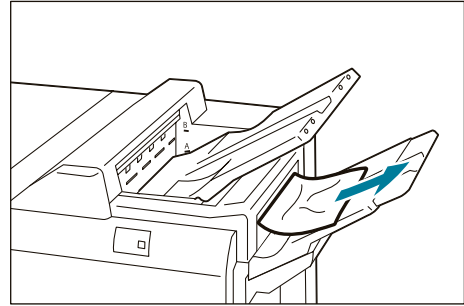
- (1) Open lever [1d] to the right (①), turn knob [1f] counter-clockwise (②), and remove the jammed paper (③).
- (2) Return lever [1d].



.....

■ **When Indicator E6 is Turned on**

- (1) Remove the jammed paper that sticks out from the exit of the Finisher Tray.



-
3. Close the cover.

4. Check the curl direction of the jammed paper and correct the curl.

 Refer

“Curl Correction” (p.43)

■ **Booklet Maker**

1. Open the Cover.

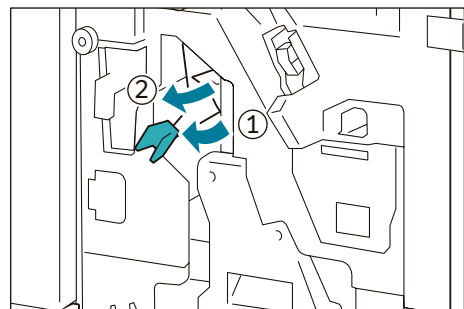
2. Remove the jammed paper.

When Indicator E7 is Turned on.....	p.88
When Indicator E8 is Turned on.....	p.89
When Indicator E9 is Turned on.....	p.89

.....

■ **When Indicator E7 is Turned on**

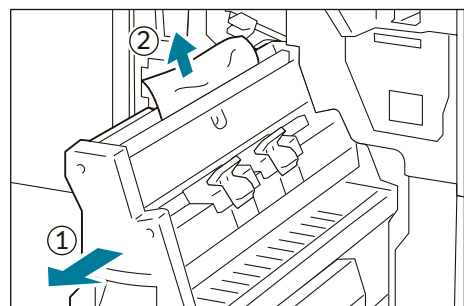
- (1) Open lever [3a] to the left (①) and remove the jammed paper (②).



- (2) If you have difficulty in removing the papers, pull out Booklet Maker [3] (①), and remove the jammed paper (②).

- (3) Return lever [3a].

- (4) Push in the Booklet Maker [3].



.....

■ When Indicator E8 is Turned on

- (1) Pull out Booklet Maker [3].

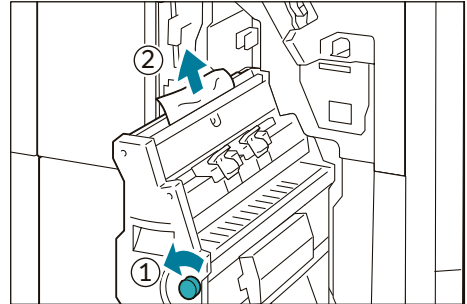
 **Note**

Confirm that paper is not jammed at the lever [3a] before pulling it out.



- (2) Turn knob [3b] counterclockwise (①) and remove the jammed paper (②).

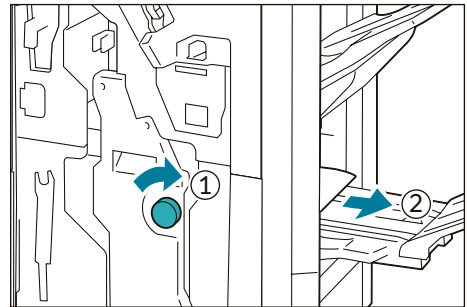
- (3) Push in the Booklet Maker [3].



.....

■ When Indicator E9 is Turned on

- (1) Turn knob [3b] clockwise (①) and remove the jammed paper that sticks out from the exit of the Booklet Tray (②).



-
3. Close the cover.

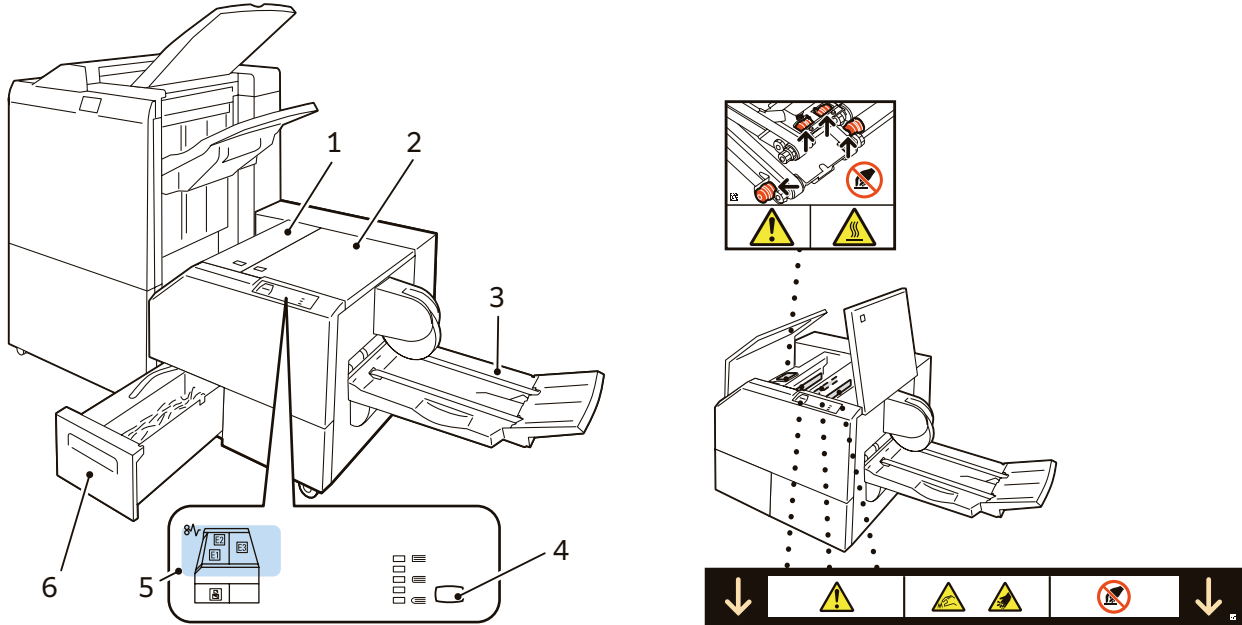
4. Check the curl direction of the jammed paper and correct the curl.

 **Refer**

"Curl Correction" (p.43)

10 Square Back Fold Trimmer D1

Device Components / Caution Labels






No.	Component	Function
1	Left Cover	Open this cover to clear paper jams.
2	Right Cover	Open this cover to clear paper jams.
3	Booklet Tray	Outputs are delivered here. <div style="border: 1px solid orange; border-radius: 10px; padding: 2px; display: inline-block;"> Note </div> <p>When Square Back is performed, a thin press mark parallel to the back is made. If Fore Edge Trim is performed, a thin press mark parallel to the fore edge may be made. In either case, a press mark becomes outstanding as a booklet becomes thicker.</p>
4	Back Pressing Level Button	Press this button to change the roundness of the back of a saddle stitched booklet. The higher the indicator, the higher the pressing force. The lower the indicator, the lower the pressing force.
5	Error Indicator	When paper jam occurs, the indicator is turned on.
6	Trimmer Waste Box	Cut pieces go in here.

Note

The Square Back Fold Trimmer can be only attached to the Finisher D6 with Booklet Maker.

Main Specifications

Item	Specification		
Paper size	According to Saddle stitch / Single fold of Finisher D		
Paper weight			
Booklet Tray capacity	20 copies (16 sheets or less)		
<p> Note</p> <ul style="list-style-type: none"> • A maximum of 16 copies for 17 to 20 sheets, a maximum of 12 copies for 21 to 25 sheets, and a maximum of 10 copies for 26 to 30 sheets. • Storing may not be possible up to this value depending on your use conditions, such as of paper type. 			
Fore Edge Trim	Maximum number of sheets of paper (sheets)	Saddle stitch	30
		Single fold	5
	Trim dimensions (mm)	2 to 20	
<p> Note</p> <p>If you leave paper after cutting it, it becomes larger by absorbing moisture. Since the degree of moisture absorption varies according to paper (paper type, paper weight, interleaf, cover, and body, etc.), the cutting face may be different when papers are put together even if the cutting size is same.</p>			
Square Back	Maximum number of sheets of paper (sheets)	Saddle stitch	30
		<p> Note</p> <ul style="list-style-type: none"> • Square Back cannot be performed for Single fold and Saddle stitch of less than 5 sheets. • The number of sheets that can be processed may vary according to the paper type and paper weight. 	
Power supply	AC 100 to 120 V ± 10%, 1.0 A, 50/60 Hz common AC 220 to 240 V ± 10%, 0.6 A, 50/60 Hz common		
Maximum power consumption	AC 100 V: 100 W / AC 240 V: 144W		
Dimensions (mm)	Width 1,066 x Depth 725 x Height 552		
Weight (kg)	100		

 **Note**

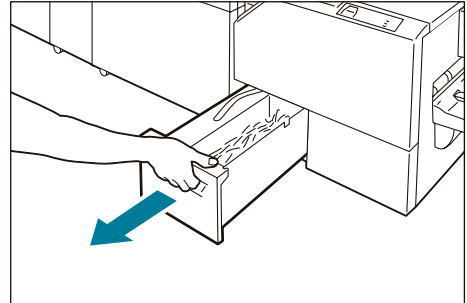
Make sure to set trim length to 2 mm or more. Cut pieces less than 2 mm may adhere to booklets or scatter inside the machine and cause paper jams.

Waste Container

 **Note**

Dispose cut pieces while the machine is on.

1. Confirm that the machine is not operating, and pull out the waste container.

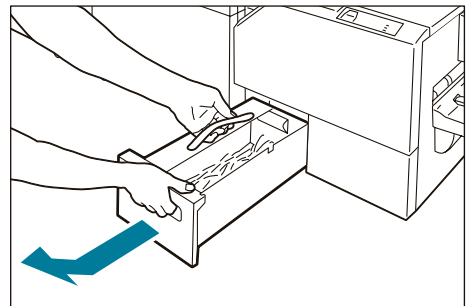


2. Hold the belt of the waste container and pull it out with both hands.

 **Note**

Do not apply excessive load on the belt by twirling the container as holding the belt, etc. Otherwise, the belt may get broken.

3. Dispose all cut pieces.



 **Caution**

Do not collect cut pieces with hands. You may get injured with cutting edges.

4. Insert the Waste Container into the original position.

Paper Jams

 **Note**

The error indicator at the top of the machine is turned on.

If paper is jammed, the machine stops and an alarm sounds. Follow the instructions displayed on the screen to remove the jammed paper.

Gently remove the paper being careful not to tear it. If paper is torn while it is being removed from the machine, remove all the torn pieces making sure that none remain inside the machine.

When you have finished clearing the paper jam, printing is resumed from the state before the paper jam occurred. If a paper jam occurred during copying, tap on [Start]. Copying is resumed from the state before the paper jam occurred.

 **Note**

Clear the paper jams while the machine is on.

1. Remove the jammed paper.

When Indicator E1 is Turned on.....p.93

When Indicator E2 is Turned on.....p.94

When Indicator E3 is Turned on.....p.94

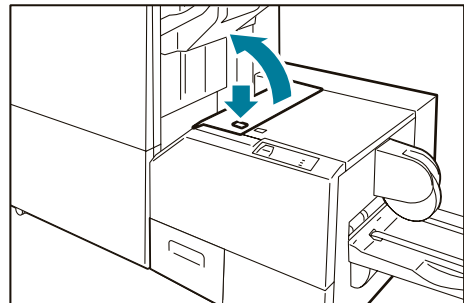
 **Note**

The left and Right Covers cannot be opened at the same time. Remove paper in one cover and close it. Then open the other cover.

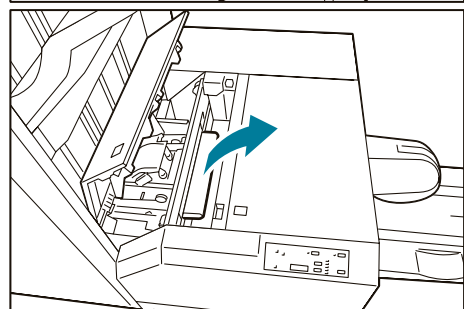
.....

■ When Indicator E1 is Turned on

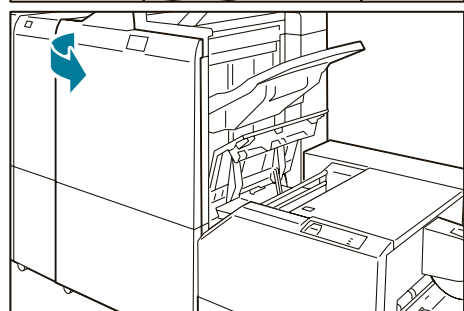
(1) Open the Left Cover.



(2) Remove the jammed paper.

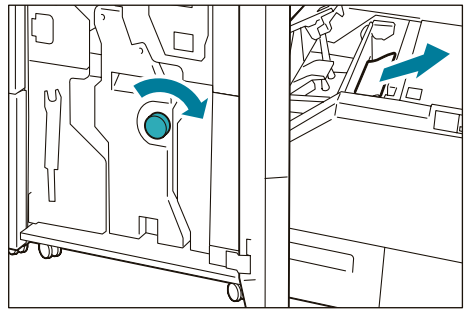


(3) If you have difficulty in removing the papers, open the Finisher cover.



(4) Turn knob [3b] clockwise and remove the paper.

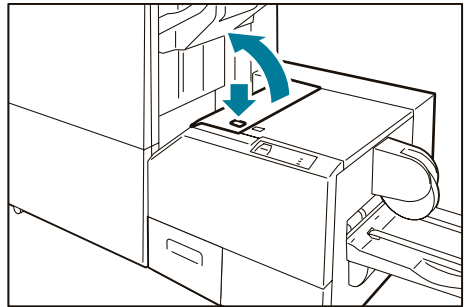
(5) Close the Left Cover.



.....

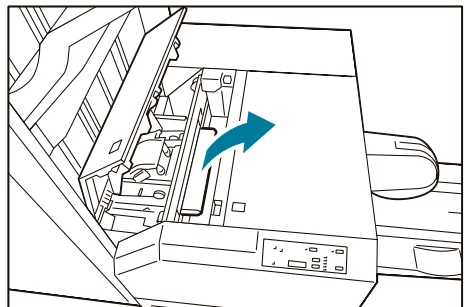
■ When Indicator E2 is Turned on

(1) Open the Left Cover.



(2) Remove the jammed paper.

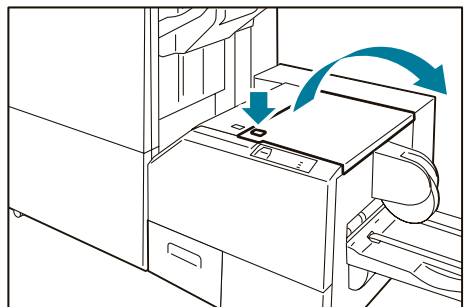
(3) Close the Left Cover.



.....

■ When Indicator E3 is Turned on

(1) Open the Right Cover.



(2) Remove the jammed paper.

(3) Close the Right Cover.

